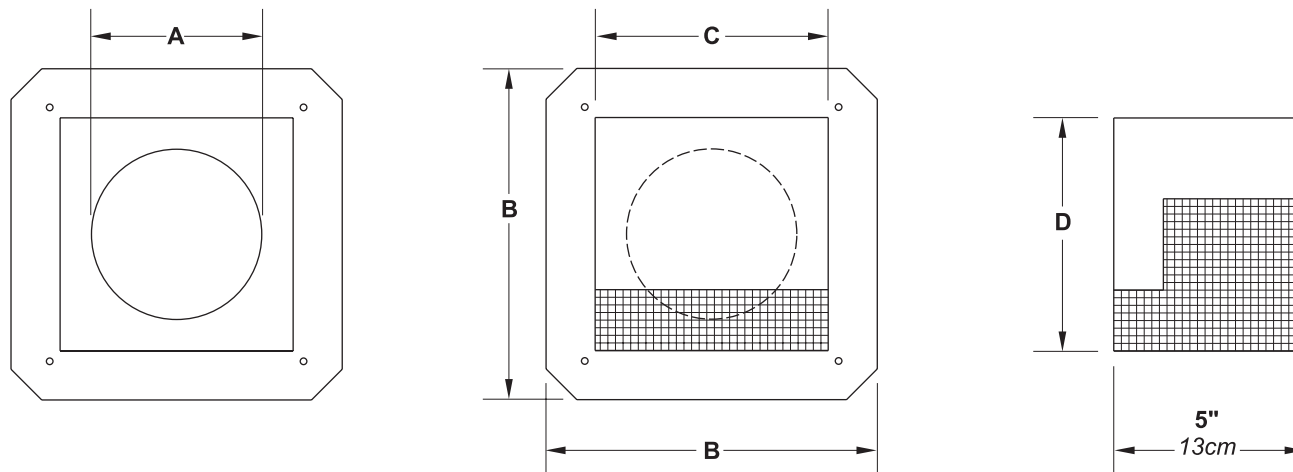


Rheos Side-Wall Ducted Combustion Air Terminal

IMPORTANT: Read and comply with all warnings and instructions listed in the "Installation and Operation Instructions" included with the unit.



SIZE	Part Number	A Diameter		B		C		D	
		in	cm	in	cm	in	cm	in	cm
1200	CA20260701	6	15	12	30	9	23	11	28
1600	CA20260703	8	20	13	33	10	25	12	30
2000	CA20260703	8	20	13	33	10	25	12	30
2400	CA20260703	8	20	13	33	10	25	12	30

Laars Heating Systems Company reserves the right to change specifications, components, features, or to discontinue products without notice.