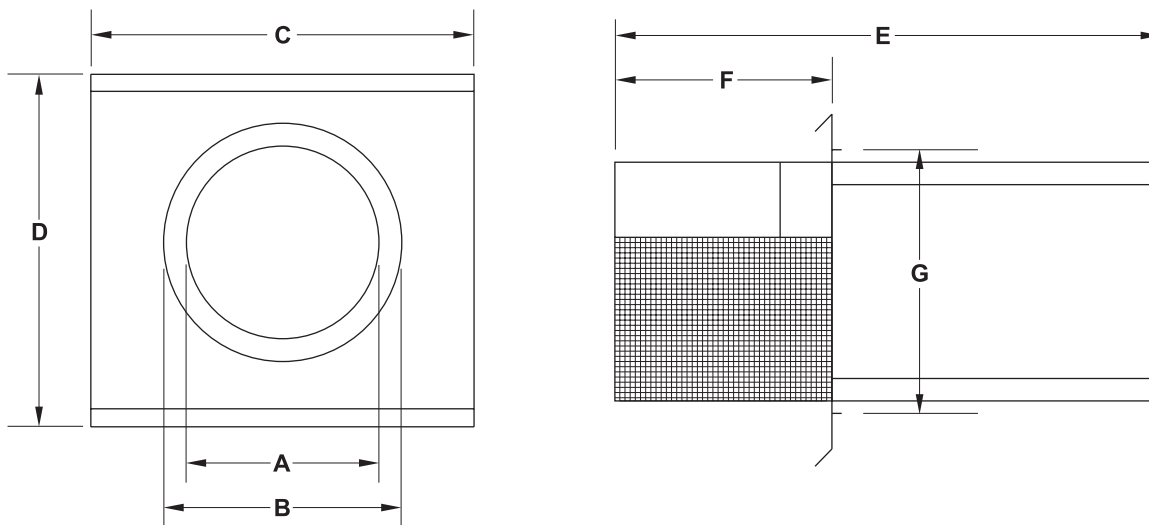


Rheos Side-Wall Vent Termination

IMPORTANT: Read and comply with all warnings and instructions listed in the “Installation and Operation Instructions” included with the unit.



SIZE	PART NUMBER	A		B		C		D		E		F		G	
		Nominal Diameter		Outer Tube Diameter		Face Plate Width		Face Plate Height		Overall Length		Exterior Length		Wall Opening	
		in	cm	in	cm	in	cm	in	cm	in	cm	in	cm	in	cm
1200	D2004500	6	15	9	23	16	41	15	38	21.5	55	6	15	11	28
1600	D2004500	6	15	9	23	16	41	15	38	21.5	55	6	15	11	28
2000	D2004600	7	18	10	25	17	43	16	41	23.5	60	8	20	12	30
2400	D2006200	10	25	13	33	19	48	18	46	27.5	70	12	30	15	38

Laars Heating Systems Company reserves the right to change specifications, components, features, or to discontinue products without notice.