

Rheos Vent Terminal

(for outdoor units only)

IMPORTANT: Read and comply with all warnings and instructions listed in the “Installation and Operation Instructions” included with the unit.

Vent Termination, Flue Outlet

General Description

Single wall mitered termination with screen used on horizontal or vertical gas vent systems.

Material

AL-29-4C® Alloy Stainless Steel

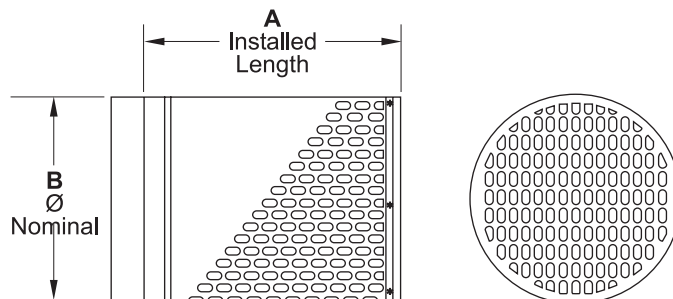


Figure 1. Vent Termination, Flue Outlet.

Appliance Adapter, Flue Collar

General Description

Single wall generic flue adapter with split seam. Hose clamps tighten around outside to create a mechanical seal.

Material

AL-29-4C® Alloy Stainless Steel

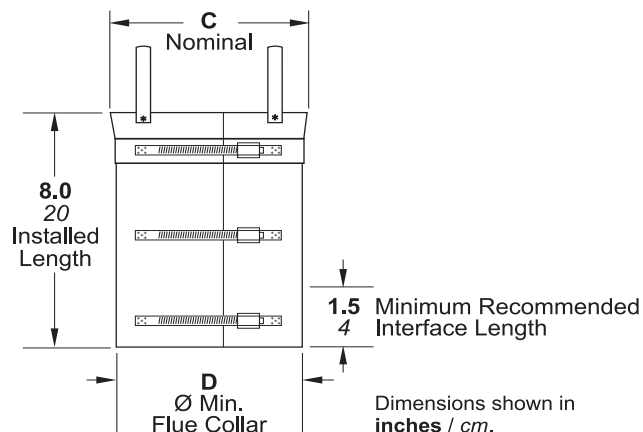


Figure 2. Appliance Adapter, Flue Collar.

SIZE	VENT TERMINATION PART NUMBER	APPLIANCE ADAPTER PART NUMBER	A		B		C		D	
			in	cm	in	cm	in	cm	in	cm
1200	D2008300	D2008500	8.5	22	6.0	15	6.0	15	5.75	15
1600	D2008300	D2008500	8.5	22	6.0	15	6.0	15	5.75	15
2000	D2008400	D2008600	10.25	26	7.0	18	7.0	18	6.75	17
2400	D2007500	D2008600	13.25	34	10.0	25	10.0	25	9.75	25

Laars Heating Systems Company reserves the right to change specifications, components, features, or to discontinue products without notice.