



Using "Genuine Laars" parts will ensure accurate replacement and warranty coverage. Installation and Operation Manuals for current products are available on-line at www.Laars.com

Our Commitment

We believe the availability of factory authorized replacement parts is an essential component of customer service. We strive to provide every opportunity for our customers to order and stock factory authorized replacement parts, including special incentive, pricing and freight programs. Contact your Laars representative or sales manager for more details.

Ordering

Laars sells parts only through its normal distribution channels. The most commonly used parts are listed in this parts guide, and can be ordered through Laars stocking representatives or wholesalers. Call the Service Department for assistance in identifying parts not listed. Have the model and serial number of the unit before calling to assure accurate parts identification. Rush Orders: We make every effort to ship rush orders the same day at our regular prices, but cannot guarantee same day shipment. Express freight charged by carriers is not refundable regardless of ship date; please indicate alternate shipping choice if order cannot ship the same day. Some parts are subject to price changes and limited availability. Laars representatives or wholesalers should call the factory for price and lead time for non-current sheet metal parts, parts listed as "limited to stock on hand" and parts not listed in this document.

Terms and Conditions

1. Standard terms will apply to all parts orders.
2. Special pricing is available for bulk quantity orders. Contact the Customer Service Department for pricing and specifics.
3. Expedite fee for non-stocked heat exchangers, 24 hour turnaround \$250.00 net.
4. Expedite fee for non-stocked sheet metal parts (7 working days) is \$250.00 per part.
5. Cancellation fee for custom product already in production: \$250
6. All parts are shipped FOB warehouse.
7. Any excise or sales tax will be charged to and paid by the buyer. Buyer is solely responsible for providing valid resale certificates.

Salable Returns / Unused Parts

Parts in new condition with all original packaging will be considered for return within one year of date of purchase from Laars, subject to a 25% restocking charge *and* recovery of other discounts or incentives earned at time of purchase. Invoice number and date of purchase must be furnished. Refunds will be made to the original purchaser only, and will be made at the sole discretion of Laars. Return of parts may affect eligibility for other programs. Contact your Laars representative for more information.

Parts Limited Warranty

Laars warrants all parts to be free from defects in materials and workmanship to the original retail purchaser for one year from date of retail purchase. Proof of purchase is required. This limited warranty applies only to parts purchased for use as an original equipment replacement part in Laars Heating Systems boilers and water heaters. At its option, Laars will repair or replace any part that fails under this limited warranty. Repair or replacement shall be the sole remedy, and Laars shall not be liable for any field labor, removal, transportation to/from the factory, reinstallation or any other such costs.

Return Under Warranty

Parts should be returned to the place of purchase for warranty evaluation. If the original place of purchase is not known, contact your Laars wholesaler, factory representative or Contract Service Center. Wholesalers, factory representatives and Contract Service Centers returning parts for warranty consideration must obtain a RMA (Return Merchandise Authorization) number from the Customer Service Department. Each part must be tagged with the original purchase date, model and serial number of the boiler it was installed on, and a description of the failure. Parts must be returned freight prepaid and clearly marked with the RMA number. The RMA expires if not returned within 60 days of issuance. Contact your Laars representative or the Customer Service Department for more information on obtaining warranty coverage on large, heavy or bulky items.

Laars Heating Systems maintains a policy of continuous quality improvement.

Laars Heating Systems Company reserves the right to change specifications, components, features, or to discontinue products without notice. While Laars will make every reasonable effort to provide advance notice of changes, supplier actions, changes in code requirements, and Laars' efforts to continuously upgrade products will sometimes require that changes be introduced with minimal or no advance notice.

Section 6 Parts Description and Order Numbers

Key No	Description	Size 500	Size 600	Size 715	Size 850	Size 1010	Size 1200	Size 1430	Size 1670	Size 1825
Jacket and Combustion Chamber Components										
1	Top Panel Assembly	10535701	10535702	10535703	10535704	10535705	10535706	10535707	10535708	10535709
2	Spacer, Flue Collector	-	-	-	10540800	10540800	10540800	10540800	10540800	10540800
3	End Panel, Flue Collector, Left	10533700	10533700	10533700	10533700	10533700	10533700	10533700	10533700	10533700
4	End Panel, Flue Collector, Right	10533800	10533800	10533800	10533800	10533800	10533800	10533800	10533800	10533800
5	Rear Panel, Flue Collector {Indoor}	10535501	10535502	10535503	10535504	10535505	10535506	10535507	10535508	10535509
6	Front Support, Flue Collector {Indoor}	10534401	10534402	10534403	10534404	10534405	10534406	10534407	10662108	10662109
7	Tile Cover, Front/Rear {Indoor}	10534201	10534202	10534203	10534204	10534205	10534206	10534207	10661508	10661509
		(2)	(2)	(2)	(4)	(4)	(4)	(4)	(4)	(4)
8	Tile Heat Shield/Spacer, Front and Rear	10560100	-	-	-	-	-	-	-	-
		(2)	-	-	-	-	-	-	-	-
9	Tile Heat Shield/Spacer, Front	-	10547901	10547902	-	-	10547903	10547901	10547904	10547903
10	Tile Heat Shield/Spacer, Front	-	-	-	10548002	10548003	-	-	-	10548001
11	Tile Heat Shield/Spacer, Front	-	-	-	-	-	10548101	10548102	10548103	10548104
12	Tile Heat Shield/Spacer, Rear	-	10548201	10548202	-	-	10548203	10548201	10548204	10548203
13	Tile Heat Shield/Spacer, Rear	-	-	-	10548302	10548303	-	-	-	10548301
14	Tile Heat Shield/Spacer, Rear	-	-	-	-	-	10548401	10548402	10548403	10548404
15	Saddle Assembly, End Tile	10533600	10533600	10533600	10533600	10533600	10533600	10533600	10533600	10533600
		(2)	(2)	(2)	(2)	(2)	(2)	(2)	(2)	(2)
16	Lower End Panel/Heat Shield Weldment, Right	10540701	10540701	10540701	10540701	10540701	10540701	10540701	10540701	10540701
17	Lower End Panel/Heat Shield Weldment, Left	10540702	10540702	10540702	10540702	10540702	10540702	10540702	10540702	10540702
18	Lower Rear Panel Weldment	10532901	10532902	10532903	10532904	10532905	10532906	10532907	10532908	10532909
19	Middle Rear Panel/Heat Shield Weldment	10540401	10540402	10540403	10540404	10540405	10540406	10540407	10540408	10540409
20	End Panel, Upper Right	10531600	10531600	10531600	10531600	10531600	10531600	10531600	10531600	10531600
21	End Panel, Upper Left	10534000	10534000	10534000	10534000	10534000	10534000	10534000	10534000	10534000
22	Upper Rear Panel/Heat Shield Weldment	10540501	10540502	10540503	10540504	10540505	10540506	10540507	10540508	10540509
23	Front Panel, Upper	10531501	10531502	10531503	10531504	10531505	10531506	10531507	10531508	10531509
24	Bracket, Support, End Tile	10551000	10551000	10551000	10551000	10551000	10551000	10551000	10551000	10551000
		(2)	(2)	(2)	(2)	(2)	(2)	(2)	(2)	(2)

NOTE: Numbers in () represent quantity required for each size. Quantity is one otherwise.

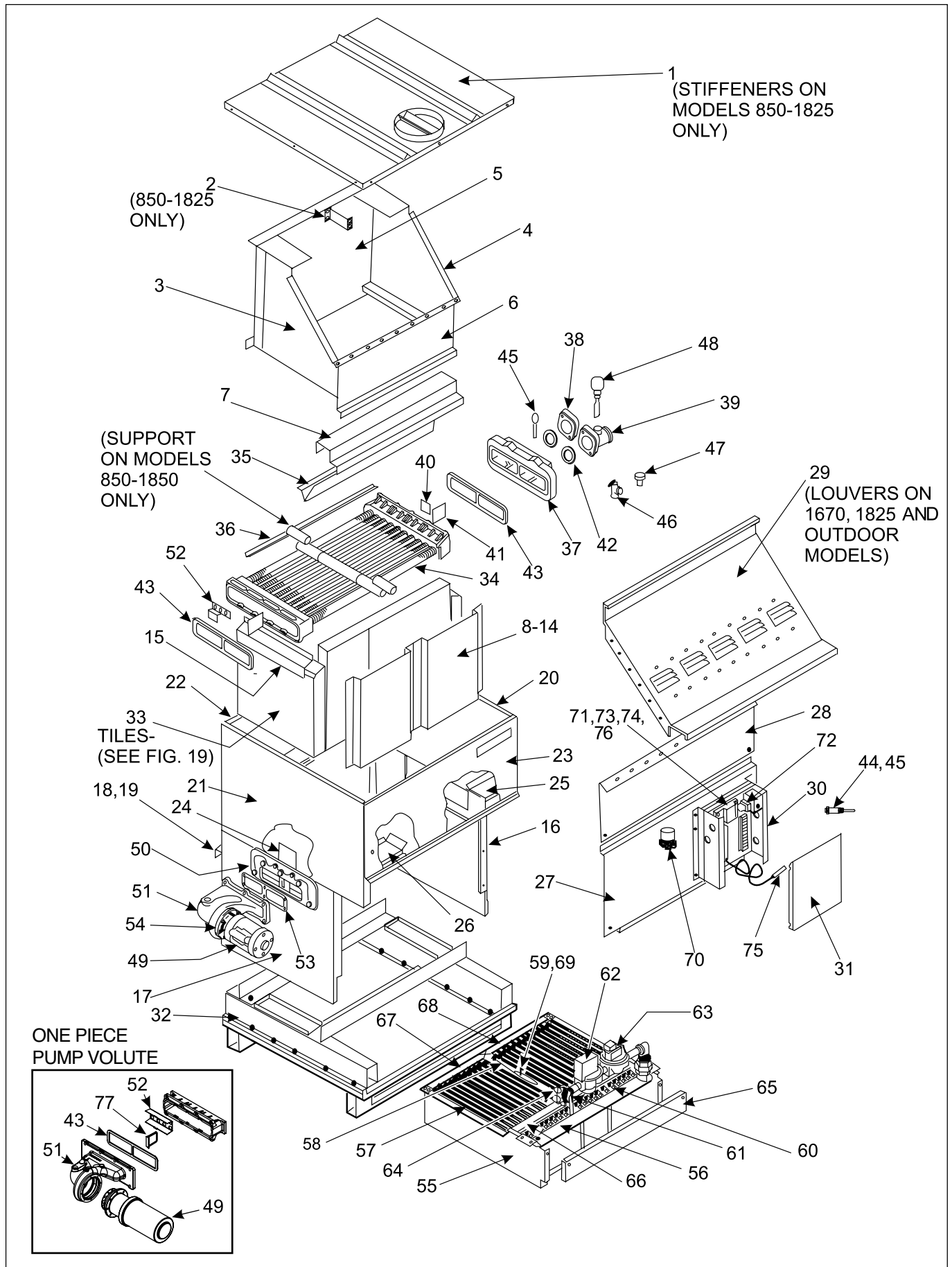


Figure 17. Parts Identification.

Key Description No	Size 500	Size 600	Size 715	Size 850	Size 1010	Size 1200	Size 1430	Size 1670	Size 1825
25 Drafthood, Relief Baffle, Right	10540901	10540902	10540903	10540904	10540905	10540906	10540907	10540908	10540909
26 Drafthood, Relief Baffle, Left	10541001	10541002	10541003	10541004	10541005	10541006	10541007	10541008	10541009
27 Lower Front Panel/ Heat Shield Weldment	10554601	10554602	10554603	10554604	10554605	10554606	10554607	10554608	10554609
28 Middle Front Panel {Indoor}	10554401	10554402	10554403	10554404	10554405	10554406	10554407	10662008	10662009
29 Sweep Sheet, Flue Collector {Indoor}	10533901	10533902	10533903	10533904	10533905	10533906	10533907	10662208	10662209
30 Control Box Weldment	10545800	10545800	10545800	10545800	10545800	10545800	10545800	10545800	10545800
31 Control Box Cover {Indoor}	10547200	10547200	10547200	10547200	10547200	10547200	10547200	10547200	10547200
32 Base/Tile Support Assembly {Indoor}	10536901	10536902	10536903	10536904	10536905	10536906	10536907	10536908	10536909
33 Tile Assemblies {Refer to Figure 18 for configurations and Part Numbers}									
Optional Items									
Non-Combustible Base {Rail}	10539000	10539000	10539000	10539000	10539000	10539000	10539000	10539000	10539000
	(2)	(2)	(2)	(2)	(2)	(2)	(2)	(2)	(2)
Water System									
34 8-Tube Assembly, Copper Tubes/ Cast Iron Tubes {Indoor}	10534701	10534702	10534703	10534704	10534705	10534706	10534707	—	—
8-Tube Assembly, Copper Tubes/ Bronze Tubes {Indoor}	10542901	10542902	10542903	10542904	10542905	10542906	10542907	—	—
8-Tube Assembly, CU-NI Tubes/ Cast Iron Tubes {Indoor}	10553601	10553602	10553603	10553604	10553605	10553606	10553607	—	—
8-Tube Assembly, CU-NI Tubes/ Bronze Tubes {Indoor}	10553701	10553702	10553703	10553704	10553705	10553706	10553707	—	—
10-Tube Assembly, Copper Tube/ Cast Iron Tubes {Indoor}	—	—	—	—	—	—	—	10665908	10665909
10-Tube Assembly, Copper Tube/ Bronze Tubes {Indoor}	—	—	—	—	—	—	—	20001108	20001109
10-Tube Assembly, CU-NI Tubes/ Cast Iron Tubes {Indoor}	—	—	—	—	—	—	—	20001008	20001009
10-Tube Assembly, CU-NI Tubes/ Bronze Tubes {Indoor}	—	—	—	—	—	—	—	10670408	10670409
35 Baffle, Heat Exchanger Front/ Rear {Indoor}	10534301	10534302	10534303	10534304	10534305	10534306	10534307	20020108	20020109
	(2)	(2)	(2)	(4)	(4)	(4)	(4)	(4)	(4)

NOTE: Numbers in () represent quantity required for each size. Quantity is one otherwise.

Key No	Description	Size 500	Size 600	Size 715	Size 850	Size 1010	Size 1200	Size 1430	Size 1670	Size 1825
36	Baffle, Heat Exchanger {8-Tube}	10534601 (7)	10534602 (14)	10534603 (14)	10534604 (14)	10534605 (14)	10534606 (28)	10534607 (28)	—	—
	Baffle, Heat Exchanger {10-Tube}	—	—	—	—	—	—	—	10667708 (28)	10667709 (14)
	Baffle, Heat Exchanger {10-Tube}	—	—	—	—	—	—	—	—	10667702 (14)
37	Inlet/Outlet Header, Machined {S0094300 Glassed Cast Iron}	10364500	10364500	10364500	10364500	10364500	10364500	10364500	10364500	10364500
	Inlet/Outlet Header, Machined {S0064000 Bronze}	10364501	10364501	10364501	10364501	10364501	10364501	10364501	10364501	10364501
38	Flange, 2-1/2" NPT Machined {S0063600 Cast Iron}	10391303	10391303	10391303	10391303	10391303	10391303	10391303	10391303	10391303
	Flange, 2-1/2" NPT Machined {S0064400 Bronze}	10391304	10391304	10391304	10391304	10391304	10391304	10391304	10391304	10391304
39	Tee, Machined Flange {Glassed Cast Iron}	20130002	20130002	20130002	20130002	20130002	20130002	20130002	20130002	20130002
	Tee, Machined Flange {Bronze}	20150303	20150303	20150303	20150303	20150303	20150303	20150303	20150303	20150303
40	Baffle, Water Inlet	10338300	10338300	10338300	10338300	10338300	10338300	10338300	10338300	10338300
41	Barrier, Water	20230101 (2)	20230101 (2)	20230101 (2)	20230101 (2)	20230101 (2)	20230101 (2)	20230101 (2)	20230101 (2)	20230101 (2)
42	Flange Gasket	S0063700 (2)	S0063700 (2)	S0063700 (2)	S0063700 (2)	S0063700 (2)	S0063700 (2)	S0063700 (2)	S0063700 (2)	S0063700 (2)
43	Header Gasket w/Barrier	S0095100 (2)	S0095100 (2)	S0095100 (2)	S0095100 (2)	S0095100 (2)	S0095100 (2)	S0095100 (2)	S0095100 (2)	S0095100 (2)
44	Well, Immersion	E2074000	E2074000	E2074000	E2074000	E2074000	E2074000	E2074000	E2074000	E274000
45	Well, High Limit	E0025900	E0025900	E0025900	E0025900	E0025900	E0025900	E0025900	E0025900	E0025900
46	Valve, Pressure Relief 3/4 NPT, 75 PSI	A0063300	A0063300	A0063300	A0063600	A0063600	A0063600	A0063600	A0063600	A0063600
47	Temperature Gauge	A2089500 (2)	A2089500 (2)	A2089500 (2)	A2089500 (2)	A2089500 (2)	A2089500 (2)	A2089500 (2)	A2089500 (2)	A2089500 (2)
48	Flow Switch Kit {Indoor / Outdoor}	RE0013000	RE0013000	RE0013000	RE0013000	RE0013000	RE0013000	RE0013000	RE0013000	RE0013000
49	Pump, Motor, Impeller	A2001800	A2001800	A2001800	A2001800	A2001800	A2001800	A2001800	A2001800	A2001900
50	Pump Adapter {Glassed Cast Iron}	10364200	10364200	10364200	10364200	10364200	10364200	10364200	10364200	10364200
	Pump Adapter {Cast Bronze}	10364201	10364201	10364201	10364201	10364201	10364201	10364201	10364201	10364201

NOTE: Numbers in () represent quantity required for each size. Quantity is one otherwise.

Key No	Description	Size 500	Size 600	Size 715	Size 850	Size 1010	Size 1200	Size 1430	Size 1670	Size 1825
51	Pump Housing {Glassed Cast Iron}	10261501	10261501	10261501	10261501	10261501	10261501	10261501	10261501	10261501
	Pump Housing {Bronze}	10483301	10483301	10483301	10483301	10483301	10483301	10483301	10483301	10483301
	Casting, Pump Volute	S2056900	S2056900	S2056900	S2056900	S2056900	S2056900	S2056900	S2056900	S2056900
52	Baffle, Diffuser	10338400	10338400	10338400	10338400	10338400	10338400	10338400	10338400	10338400
53	Pump Housing Gasket	S0024600	S0024600	S0024600	S0024600	S0024600	S0024600	S0024600	S0024600	S0024600
54	Pump Motor Gasket,	A0021400	A0021400	A0021400	A0021400	A0021400	A0021400	A0021400	A0021400	A0021400
Gas System										
55	Burner Tray, IID, On/Off,	10550601	10550602	10550603	10550604	10550605	10550606	10550607	10550608	10550609
	Single Sect. Manifold {Nat.}									
	Burner Tray, IID, On/Off,	20097401	20097402	20097403	20097404	20097405	20097406	20097407	20097408	20097409
	Single Sect. Manifold {LP}									
	Burner Tray, St. Pilot, On/Off,	10526201	10526202	10526203	10526204	10526205	10526206	10526207	10526208	10526209
	Single Sect. Manifold {Nat.}									
	Burner Tray, St. Pilot, On/Off,	10529601	10529602	10529603	10529604	10529605	10529606	10529607	10529608	10529609
	Single Sect. Manifold {LP}									
56	Gas Manifold Weldment	10525901	10525902	10525903	10525904	10525905	10525906	10525907	10525908	10525909
	{Single Inlet}									
57	Burner, Main	L0052300	L0052300	L0052300	L0052300	L0052300	L0052300	L0052300	L0052300	L0052300
58	Pilot Bracket/Burner Weldment	10529502	10529502	10529502	10529502	10529502	10529502	10529502	10529502	10529502
59	Pilot Burner	W0035800	W0035800	W0035800	W0035800	W0035800	W0035800	W0035800	W0035800	W0035800
	Standing Pilot {Nat.}									
	Pilot Burner	W0034400	W0034400	W0034400	W0034400	W0034400	W0034400	W0034400	W0034400	W0034400
	Standing Pilot {LP}									
	Pilot Burner	W0030600	W0030600	W0030600	W0030600	W0030600	W0030600	W0030600	W0030600	W0030600
	IID Pilot {Nat.}									
	Pilot Burner	W2001300	W2001300	W2001300	W2001300	W2001300	W2001300	W2001300	W2001300	W2001300
	IID Pilot {LP}									
60	Orifice, Nat. Gas - 4" W.C.	L0050700	L0050700	L0050700	L0050700	L0050700	L0050700	L0050700	L0050700	L0050700
	{Sea Level}	(22)	(26)	(30)	(36)	(42)	(50)	(60)	(70)	(76)
	Orifice, Propane - 9" W.C.	L0032900	L0032900	L0032900	L0032900	L0032900	L0032900	L0032900	L0032900	L0032900
	{Sea Level}	(22)	(26)	(30)	(36)	(42)	(50)	(60)	(70)	(76)
61	Valve, Manual, Gas {Nat.}	V0004200	V0004200	V0004200	V0004300	V0004300	V0004300	V0004300	V0004300	V0004300
	Valve, Manual, Gas {LP}	V0004800	V0004800	V0004800	V0004800	V0004200	V0004200	V0004300	V0004300	V0004300
62	Safety Gas Valve, On-Off {Nat.}	V0046600	V0046600	V0046600	V0046600	V0046700	V0046700	V0046700	V0046700	V0046800

NOTE: Numbers in () represent quantity required for each size. Quantity is one otherwise.

Key No	Description	Size 500	Size 600	Size 715	Size 850	Size 1010	Size 1200	Size 1430	Size 1670	Size 1825
	Safety Gas Valve, On-Off {LP}	V0046600	V0046600	V0046600	V0046600	V0046600	V0046600	V0046700	V0046700	V0046700
63	Valve, Gas, Operating/Reg. On-Off {Nat.}	V0051200	V0051200	V0051200	V0051200	V0051300	V0051300	V0051300	V0051400	V0051400
	Valve, Gas, Operating/Reg. On-Off {LP}	V0054800	V0054800	V0054800	V0054800	V0054800	V0054800	V0054900	V0054900	V0054900
64	Valve, Pilot, Gas Manual	W0002100	W0002100	W0002100	W0002100	W0002100	W0002100	W0002100	W0002100	W0002100
65	Manifold Cover Plate Assembly {Single Pilot}	10552901	10552902	10552903	10552904	10552905	10552906	10552907	10552908	10552909
66	Burner Anti-Rotation Bracket {Single Pilot}	10525301	10525302	10525303	10525304	10525305	10525306	10525307	10525308	10525309
67	Burner Tie Down Bracket, Left {Single Pilot}	10525701	10525702	10525703	10525704	10525705	10525707	10525708	10525709	10525710
68	Burner Tie Down Bracket, Right {Single Pilot}	10542001	10542002	10542003	10542004	10542005	10542007	10542008	10542009	10542010
69	Thermocouple {Standing Pilot}	W0035900	W0035900	W0035900	W0035900	W0035900	W0035900	W0035900	W0035900	W0035900
70	Pilot Solenoid Valve (IID)	W0019300	W0019300	W0019300	W0019300	W0019300	W0019300	W0019300	W0019300	W0019300
	Man. Reset Pilot Relay (Std. Pilot)	W0030000	W0030000	W0030000	W0030000	W0030000	W0030000	W0030000	W0030000	W0030000
	Electrical Components									
71	Ignition Control, Electronic, U.S. {Nat.}	E2305500	E2305500	E2305500	E2305500	E2305500	E2305500	E2305500	E2305500	E2305500
	Ignition Control, Electronic, Single Try	E2305400	E2305400	E2305400	E2305400	E2305400	E2305400	E2305400	E2305400	E2305400
72	Transformer, 115V/24V	R0021300	R0021300	R0021300	R0021300	R0021300	R0021300	R0021300	R0021300	R0021300
73	Switch, High Limit, Manual Reset	E2103900	E2103900	E2103900	E2103900	E2103900	E2103900	E2103900	E2103900	E2103900
74	Controller, Water Temp.	E2103800	E2103800	E2103800	E2103800	E2103800	E2103800	E2103800	E2103800	E2103800
75	Sensor, Water Temp.	E2103600	E2103600	E2103600	E2103600	E2103600	E2103600	E2103600	E2103600	E2103600
76	Switch, Limit, Auto Reset	E2104800	E2104800	E2104800	E2104800	E2104800	E2104800	E2104800	E2104800	E2104800
77	Water Barrier Assembly	20305103	20305103	20305103	20305103	20305103	20305103	20305103	20305103	20305103
	Electrical Components {Optional}									
	High Gas Pressure Switch	E0023300	E0023300	E0023300	E0023300	E0023300	E0023300	E0023300	E0023300	E0023300
	Low Gas Pressure Switch	E0023500	E0023500	E0023500	E0023500	E0023500	E0023500	E0023500	E0023500	E0023500
	Low Water CutOff	RE2075100	RE2075100	RE2075100	RE2075100	RE2075100	RE2075100	RE2075100	RE2075100	RE2075100
	Vent Valve 120 Volts {System 4}	V0019000	V0019000	V0019000	V0019000	V0019000	V0019000	V0019000	V0019000	V0019000
	Vent Valve 24 Volts {System 9, 11}	V2000100	V2000100	V2000100	V2000100	V2000100	V2000100	V2000100	V2000100	V2000100

NOTE: Numbers in () represent quantity required for each size. Quantity is one otherwise.

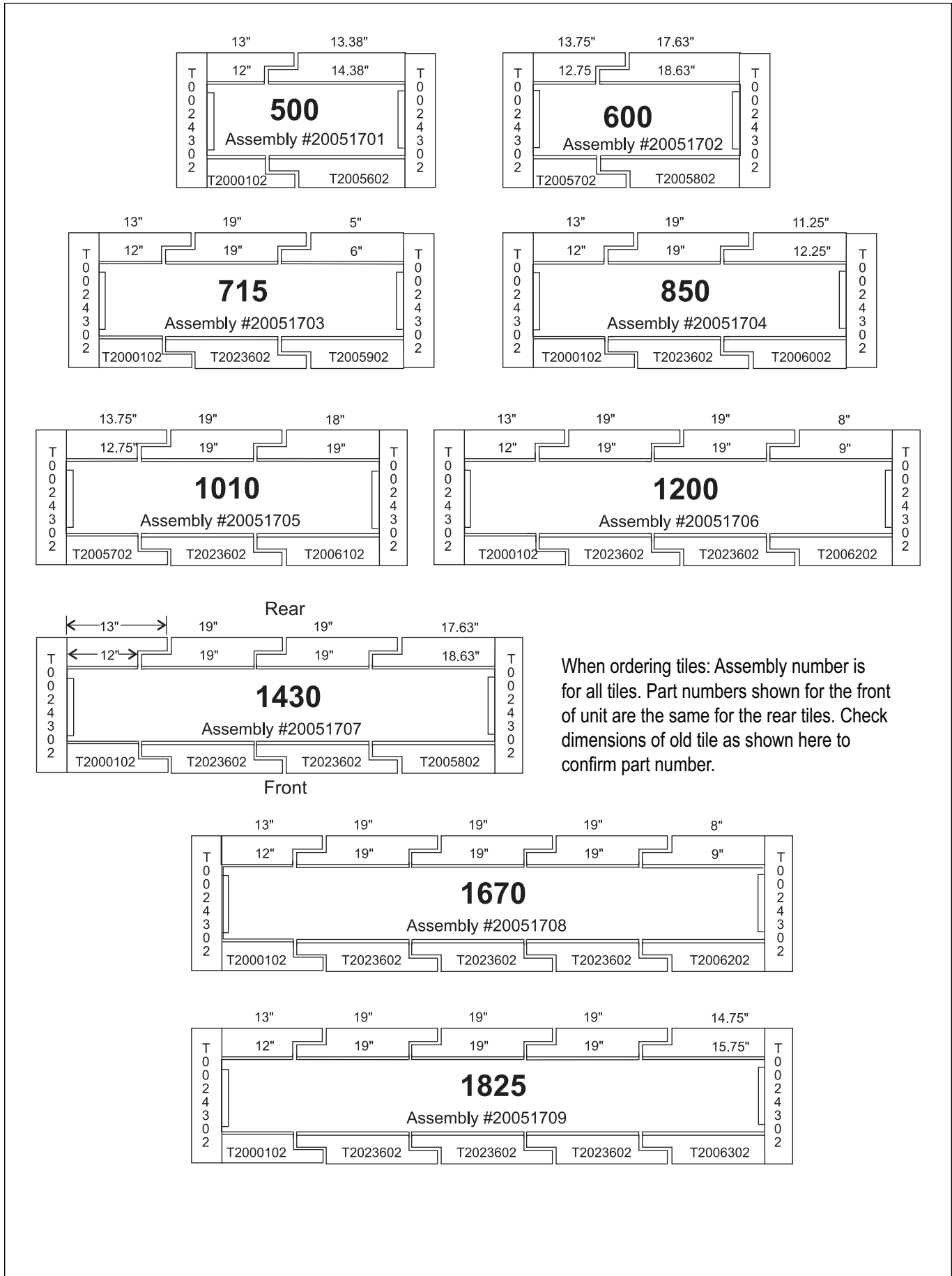


Figure 18 - Tile Assemblies

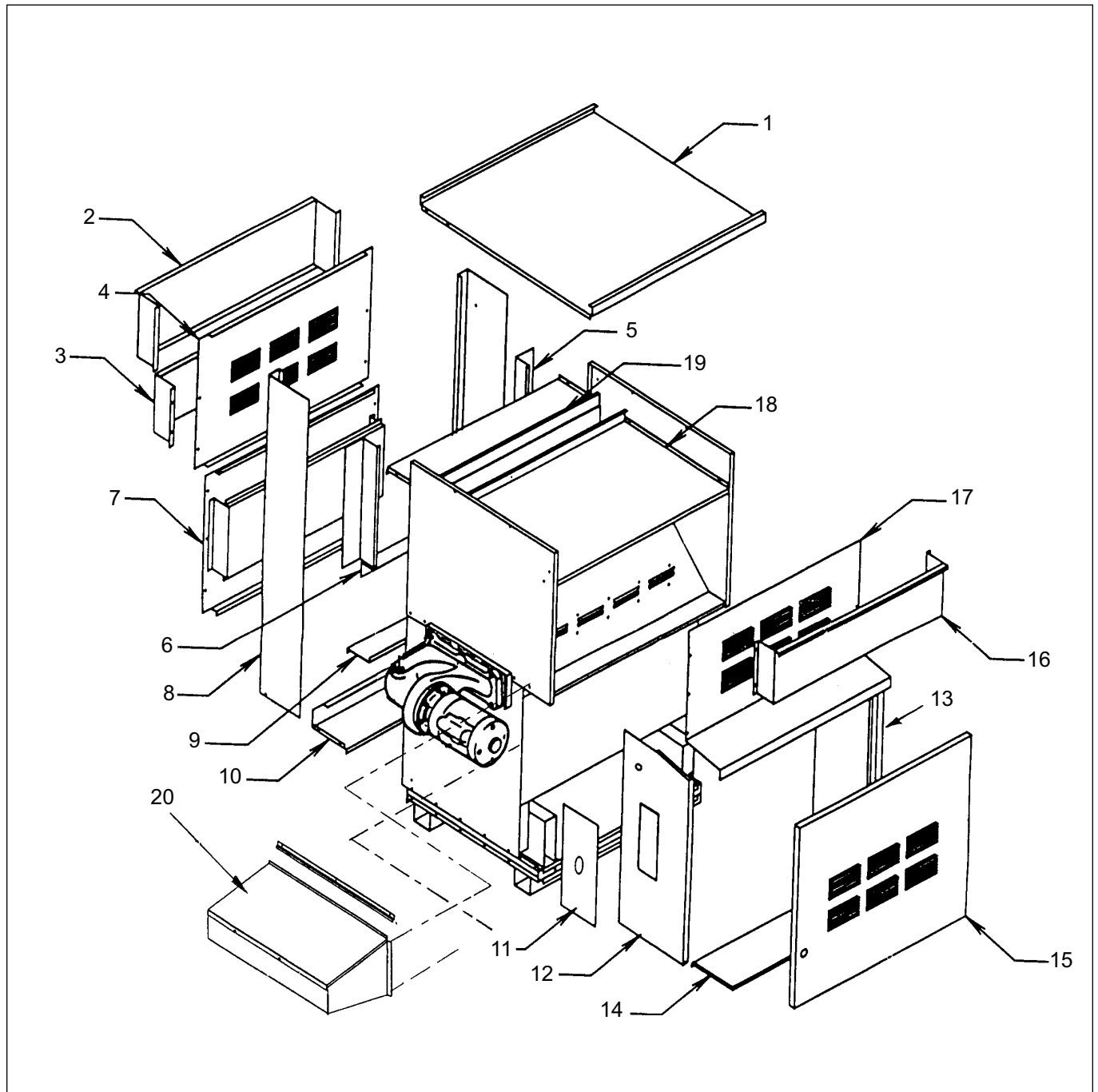


Figure 19 - Outdoor Parts

Key No	Description	Size 500	Size 600	Size 715	Size 850	Size 1010	Size 1200	Size 1430	Size 1670	Size 1825
--------	-------------	----------	----------	----------	----------	-----------	-----------	-----------	-----------	-----------

**Outdoor Jacket, Combustion Chamber, Heat Exchanger Components
Refer To Figure 19 For Placement**

5	Rear Panel, Flue Collector {Outdoor}	10661701	10661702	10661703	10661704	10661705	10661706	10661707	10661708	10661709
6	Front Support, Flue Collector {Outdoor}	10662101	10662102	10662103	10662104	10662105	10662106	10662107	10662108	10662109
7	Tile Cover, Front/Rear {Outdoor}	10661501 (2)	10661502 (2)	10661503 (2)	10661504 (4)	10661505 (4)	10661506 (4)	10661507 (4)	10661508 (4)	10661509 (4)
28	Middle Front Panel {Outdoor}	10662001	10662002	10662003	10662004	10662005	10662006	10662007	10662008	10662009
29	Sweep Sheet, Flue Collector {Outdoor}	10662201	10662202	10662203	10662204	10662205	10662206	10662207	10662208	10662209
31	Control Box Cover {Outdoor}	10630300	10630300	10630300	10630300	10630300	10630300	10630300	10630300	10630300
32	Non-Combustible Base/Tile Support Assembly {Outdoor}	10602301	10602302	10602303	10602304	10602305	10602306	10602307	10602308	10602309
34	10-Tube Assembly, Copper Tube/Cast Iron Tubes {Outdoor}	10665901	10665902	10665903	10665904	10665905	10665906	10665907	10665908	10665909
	10-Tube Assembly, Copper Tube/Bronze Tubes {Outdoor}	20001101	20001102	20001103	20001104	20001105	20001106	20001107	20001108	20001109
	10-Tube Assembly, CU-NI Tubes/ Cast Iron Tubes {Outdoor}	20001001	20001002	20001003	20001004	20001005	20001006	20001007	20001008	20001009
	10-Tube Assembly, CU-NI Tubes/ Bronze Tubes {Outdoor}	10670401	10670402	10670403	10670404	10670405	10670406	10670407	10670408	10670409
35	Baffle, Heat Exchanger Front/Rear {Outdoor}	20020101 (2)	20020102 (2)	20020103 (2)	20020104 (2)	20020105 (2)	20020106 (2)	20020107 (2)	20020108 (2)	20020109 (2)
36	Baffle, Heat Exchanger, 10-Tube {Outdoor}	10667701 (7)	10667702 (14)	10667703 (14)	10667704 (14)	10667705 (14)	10667706 (28)	10667707 (28)	10667708 (28)	10667709 (14)
	Baffle, Heat Exchanger, 10-Tube {Outdoor}	--	--	--	--	--	--	--	--	10667702 (14)

Refer To Figure 19 For Placement

1	Top Panel	10660701	10660702	10660703	10660704	10660705	10660706	10660707	10660708	10660709
2	Rear Windshield	10658101	10658102	10658103	10658104	10658105	10658106	10658107	10658108	10658109
3	Upper Rear Louver shield	10657101	10657102	10657103	10657104	10657105	10657106	10657107	10657108	10657109

NOTE: Numbers in () represent quantity required for each size. Quantity is one otherwise.

Key No	Description	Size 500	Size 600	Size 715	Size 850	Size 1010	Size 1200	Size 1430	Size 1670	Size 1825
4	Upper Rear Panel	10658701	10658702	10658703	10658704	10658705	10658706	10658707	10658708	10658709
5	Gap Closure-Side	10660200 (2)	10660200 (2)	10660200 (2)	10660200 (2)	10660200 (2)	10660200 (2)	10660200 (2)	10660200 (2)	10660200 (2)
6	Gap Closure-Middle	10660101	10660102	10660103	10660104	10660105	10660106	10660107	10660108	10660109
7	Lower Rear Panel Assembly	10660501	10660502	10660503	10660504	10660505	10660506	10660507	10660508	10660509
8	Rear End Panel Left and Right	10657700 (2)	10657700 (2)	10657700 (2)	10657700 (2)	10657700 (2)	10657700 (2)	10657700 (2)	10657700 (2)	10657700 (2)
9	Lower Rear Shield-Inner	10659901	10659902	10659903	10659904	10659905	10659906	10659907	10659908	10659909
10	Rear Base Extension	10658501	10658502	10658503	10658504	10658505	10658506	10658507	10658508	10658509
11	Gas Train Interface Plate	20050200	20050200	20050200	20050200	20050200	20050200	20050200	20050200	20050200
12	Left Front End Panel	10657501	10657501	10657501	10657501	10657501	10657501	10657501	10657501	10657501
13	Right Front End Panel	10657502	10657502	10657502	10657502	10657502	10657502	10657502	10657502	10657502
14	Front Base Extension	10659701	10659702	10659703	10659704	10659705	10659706	10659707	10659708	10659709
15	Door Panel Weldment	20050401	20050402	20050403	20050404	20050405	20050406	20050407	20050408	20050409
	Left Door Panel Weldment	—	—	—	—	20100705	20100706	20100707	20100708	20100709
16	Front Windshield	10659101	10659102	10659103	10659104	10659105	10659106	10659107	10659108	10659109
17	Upper Front Panel	10658901	10658902	10658903	10658904	10658905	10658906	10658907	10658908	10658909
18	Flue Panel Front	10659501	10659502	10659503	10659504	10659505	10659506	10659507	10659508	10659509
19	Flue Panel Rear	10659301	10659302	10659303	10659304	10659305	10659306	10659307	10659308	10659309
20	Pump Cover Assembly	20050100	20050100	20050100	20050100	20050100	20050100	20050100	20050100	20050100

NOTE: Numbers in () represent quantity required for each size. Quantity is one otherwise.



800.900.9276 • Fax 800.559.1583 (*Customer Service, Service Advisors*)
20 Industrial Way, Rochester, NH 03867 • 603.335.6300 • Fax 603.335.3355
1869 Sismet Road, Mississauga, Ontario, Canada L4W 1W8 • 905.238.0100 • Fax 905.366.0130
www.Laars.com

Litho in U.S.A. © Laars Heating Systems 0806 Document 3006T