

SECTION 13.
Replacement Parts

13.1 Exploded Parts Views, and
their Laars Part Numbers

See Figure 31,
For blower and
combustion parts

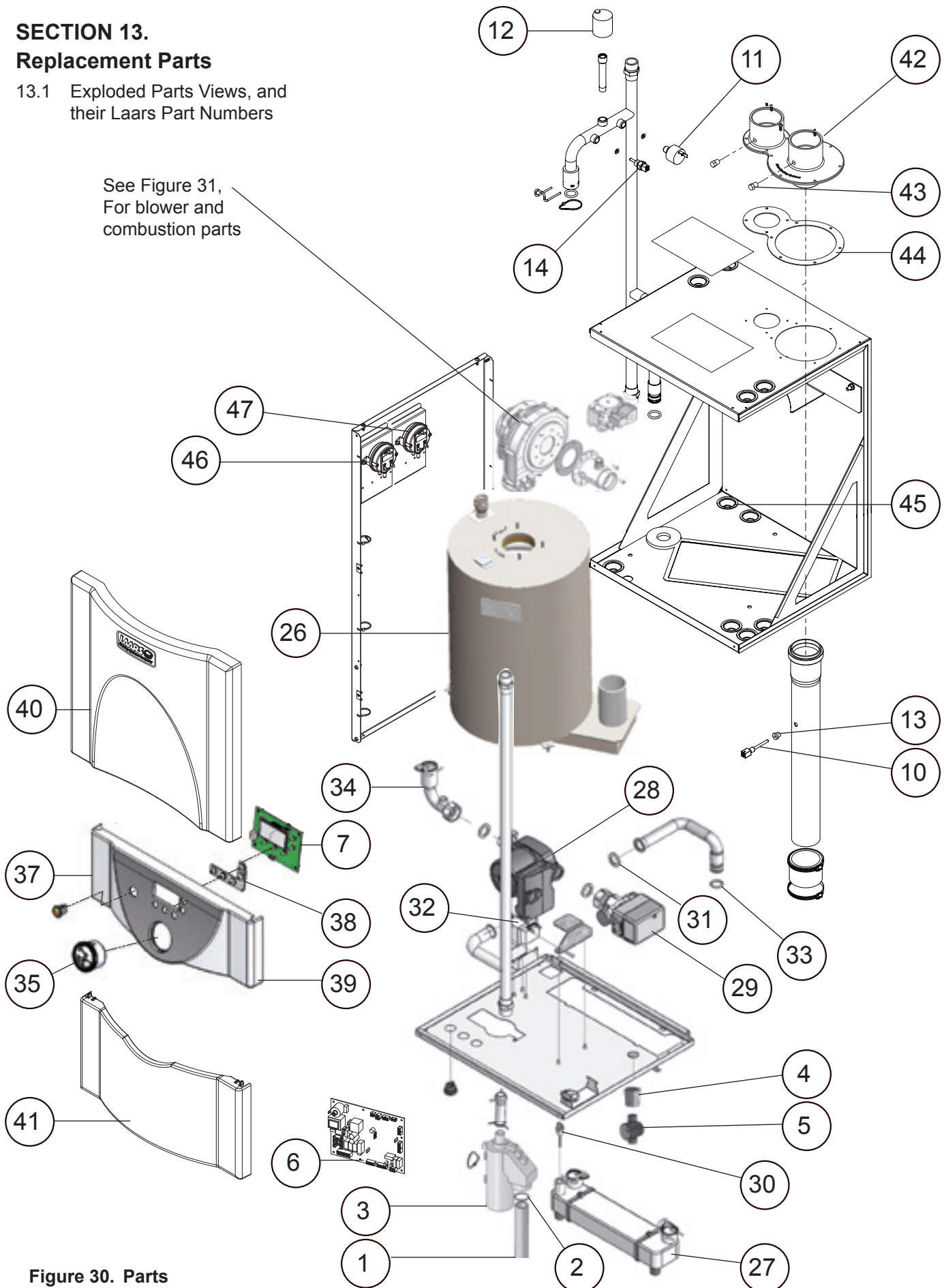


Figure 30. Parts

	Laars PN	Description	50	75	100	125	150	175	220
1	P2067603	PIPE, PVC, 3/4" SCH 40 X 6" LONG	X	X	X	X			
2	S2116300	O-RING, -120, 1" ID X 1-3/16" OD	X	X	X	X			
3	A2117500	TRAP, CONDENSATE	X	X	X	X			
3	R2076000	TRAP KIT, CONDENSATE - LARGE					X	X	X
4	P2093100	COUPLING, PIPE, SS, 1/2" NPT				X	X	X	
5	E2359000	FLOW SENSOR - DHW				X	X	X	
6	Call Factory	CONTROL BOARD - w/Firmware	Call Factory						
7	E2356800	DISPLAY UNIT	X	X	X	X	X	X	X
8	E2335100	CIRCUIT BREAKER, 2A	X	X	X	X	X	X	X
9	E2318900	CIRCUIT BREAKER, 10 AMP	X	X	X	X	X	X	X
10	E2357200	SENSOR, DUPLEX, FLUE	X	X	X	X	X	X	X
11	P2074600	SWITCH, LOW PRESSURE	X	X	X	X	X	X	X
12	P2074500	VENT, AIR, AUTO	X	X	X	X	X	X	X
13	E2357300	GROMMET, SENSOR, FLUE	X	X	X	X	X	X	X
14	E2357500	SENSOR, OUTLET	X	X	X	X	X	X	X
26	05P2100	HEAT EXCHANGER 50	X						
26	07P2100	HEAT EXCHANGER 75		X					
26	10P2100	HEAT EXCHANGER 100			X				
26	12P2100	HEAT EXCHANGER 125				X			
26	15P2100	HEAT EXCHANGER 150					X		
26	17P2100	HEAT EXCHANGER 175						X	
26	22P2100	HEAT EXCHANGER 220							X
27	S2123800	HEAT EXCHANGER PLATE 125/150				X	X		
27	S2125400	HEAT EXCHANGER PLATE 175						X	
28	A2117700	PUMP 50-125	X	X	X	X			
28	Call Factory	PUMP 150					X		
28	A2122600	PUMP 175-220						X	X
29	A2122004	3-WAY VALVE, ACTUATOR				X	X	X	
30	RE2337501	SENSOR, TEMPERATURE, DHW				X	X	X	
31	F2027600	WASHER, SEALING, 1.19 OD X .79 ID				X	X	X	
32	R0021300	TRANSFORMER,40VA, 115V/24V	X	X	X	X	X	X	X
33	S2115100	O RING, 20.04 mm I.D. X 27.10 mm O.D.				X	X	X	
34	E2357000	SENSOR, TEMPERATURE, INLET	X	X	X	X	X	X	X
35	A2117600	GAUGE, PRESS/TEMP	X	X	X	X	X	X	X
37	E2335000	SWITCH, ROCKER, 120V, AMBER	X	X	X	X	X	X	X
38	E2357700	COVER, DISPLAY, PUSH BUTTON	X	X	X	X	X	X	X
39	12P7015	PANEL, MIDDLE	X	X	X	X	X	X	X
40	12P3006	PANEL, TOP LAARS W/TREELOK	X	X	X	X	X	X	X
41	12P3004	PANEL, BOTTOM SHORT	X	X	X	X			
41	12P3005	PANEL, BOTTOM LONG					X	X	X
42	12H5500	ADAPTER, VENT, CPVC	X	X	X	X	X	X	X
43	500-168	PLUG, HEX, 1/8" NPT	X	X	X	X	X	X	X
44	12H5501	GASKET, VENT ADAPTER, M2 125	X	X	X	X	X	X	X
45	S2114000	GROMMET	X	X	X	X	X	X	X
46	E2334702	SWITCH, PRESSURE, FAN PROVING	X				X		
46	E2334700	SWITCH, PRESSURE, FAN PROVING		X		X		X	X
46	E2334701	SWITCH, PRESSURE, FAN PROVING			X				
47	E2344901	SWITCH, PRESSURE, VENT PRESSURE	X		X				
47	E2312401	SWITCH, PRESSURE, VENT PRESSURE		X			X		X

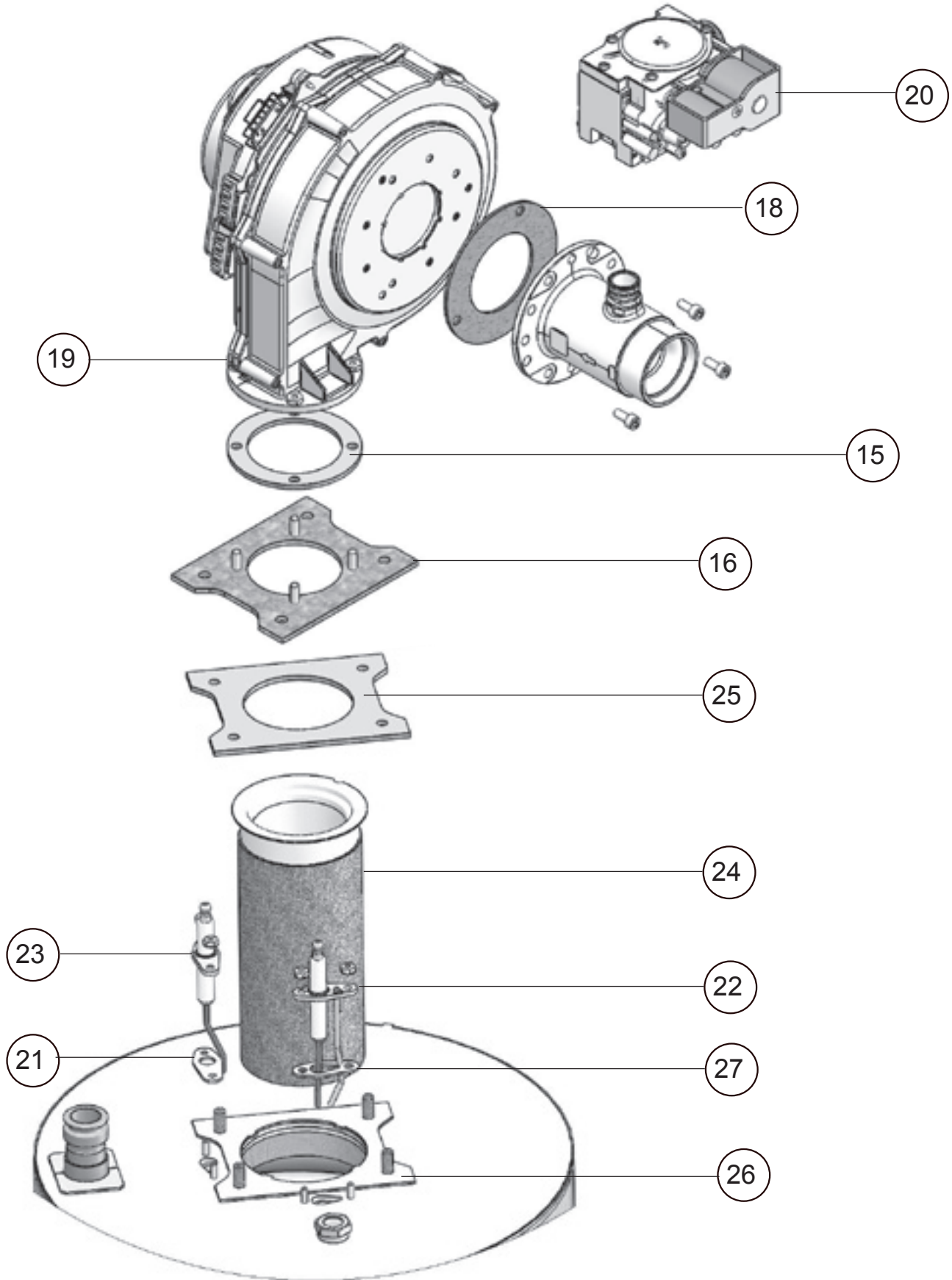


Figure 31. Parts, Blowers and Combustion

	Laars PN	Description	50	75	100	125	150	175	220
15	S2105400	GASKET, BLOWER/ FAN OUTLET	X	X	X	X	X	X	X
16	12P2065	ADAPTER PLATE	X	X	X	X	X	X	X
17	S2124500	ORING, BLOWER INLET	X	X	X	X			
18	S2127600	GASKET, VENTURI TO BLOWER					X	X	X
19	RA2112400	BLOWER, COMBUSTION 50 - 75	X	X					
19	A2122500	BLOWER, COMBUSTION 100-125			X	X			
19	RA2114200	BLOWER, COMBUSTION 150-220					X	X	X
20	V2022700	VALVE, GAS, LHX	X	X	X	X	X	X	X
21	RW2013400	GASKET, FLAME SENSOR	X	X	X	X	X	X	X
22	W2014200	IGNITOR, SPARK	X	X	X	X	X	X	X
23	W2014300	SENSOR, FLAME	X	X	X	X	X	X	X
24	RL2018401	BURNER 50-75	X	X					
24	RL2018402	BURNER 100			X				
24	RL2018403	BURNER 125-175				X	X	X	
24	RL2018404	BURNER 220							X
25	S2127300	GASKET, BURNER, ABOVE FLANGE	X	X	X	X	X	X	X
26	S2127200	GASKET, BURNER, BELOW FLANGE	X	X	X	X	X	X	X
27	RW2013300	GASKET, IGNITOR	X	X	X	X	X	X	X

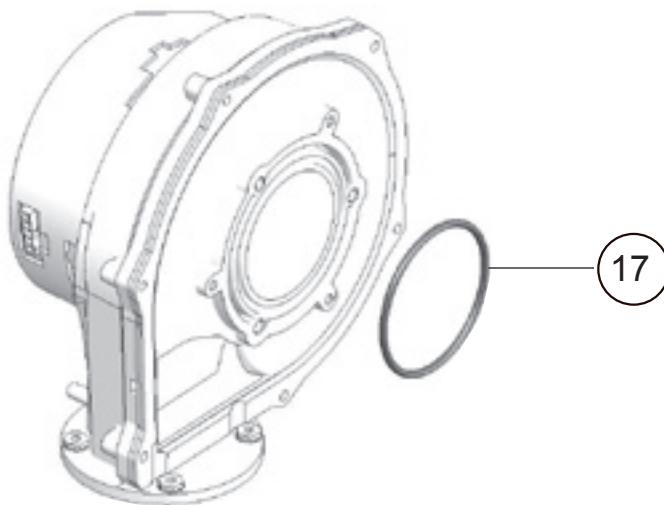
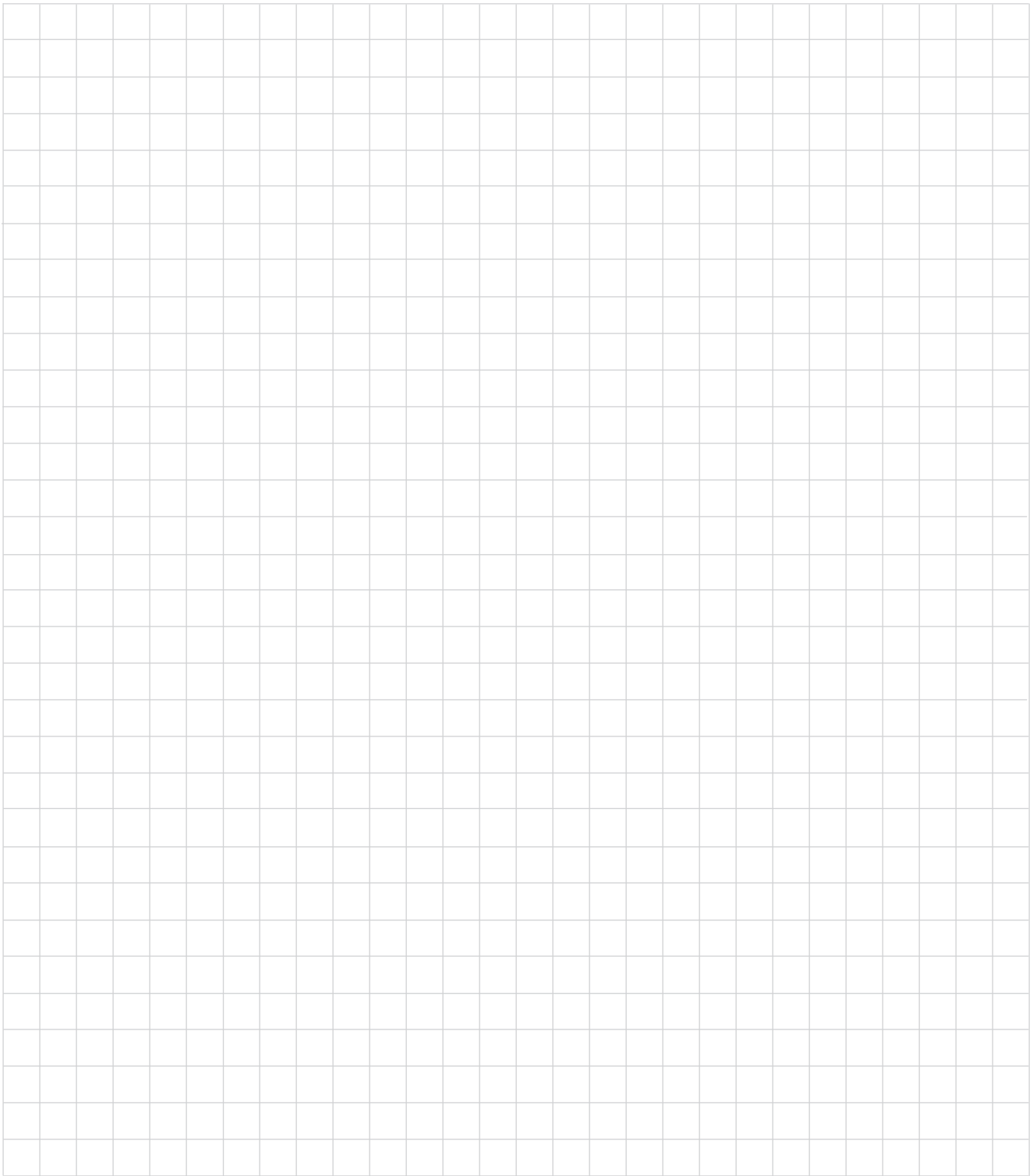


Figure 32. Blower for models 50, 75, 100, and 125



Dimensions and specifications subject to change without notice in accordance with our policy of continuous product improvement.



H2364000A