

Figure 19A. JVH Parts Identification.

10C Parts List JVS

mini-therm JVS		Size				
Description	JVS-50	JVS-75	JVS-100	JVS-125	JVS-160	JVS-225
<u>Gas System</u>						
1 Pilots						
Pilot Assembly (Nat.)	R0061600	R0061600	R0061600	R0061600	R0061600	R0061600
Pilot Assembly (LP)	W0039600	W0039600	W0039600	W0039600	W0039600	W0039600
2 Main Gas Valves						
Gas Valve, Natural	R0385100	R0385100	R0407700	R0407700	R0407700	R0407700
Gas Valve, LP	V0077500	V0077500	V0079100	V0079100	V0079100	V0079100
3 Gas Manifold	L0052601	L0052602	L0052603	L0052604	L0052603	L0052604
3 Burner, Main	L0052500	L0052500	L0052500	L0052500	L0052500	L0052500
4 Burner W/Pilot Bracket	L0056500	L0056500	L0056500	L0056500	L0056500	L0056500
Burner/Air Shutter (LP) (not shown)	L0055900	L0055900	L0055900	L0055900	L0055900	L0055900
Gas Orifices (not shown)						
Gas Orifice (Nat.)	L0032200	L0032200	L0032200	L0032200	L0032200	L0032200
Gas Orifice (LP)	L0032900	L0032900	L0032900	L0032900	L0032900	L0032900
<u>Electrical System</u>						
5 Controller	RE2344300	RE2344300	RE2344300	RE2344300	RE2344300	RE2344300
6 Transformer 115/24V (40VA)	R0021300	R0021300	R0021300	R0021300	R0021300	R0021300
7 Ignition Control	E2102800	E2102800	E2102800	E2102800	E2102800	E2102800
8 Limit Switch	R0061300	R0061300	R0061300	R0061300	R0061300	R0061300
9 Blocked Vent Safety Switch	R2061100	R2061100	R2061100	R2061100	R2061100	R2061100
10 Roll-out Safety Switch	E2103200	E2103200	E2103200	E2103200	E2103200	E2103200
Wiring Harness (not shown)	E2347700	E2347700	E2347700	E2347700	E2347700	E2347700
Hi-Tension Lead (not shown)	10449514	10449514	10449514	10449514	10449515	10449516
Fuse, 5-Pack, 4-Amp (not shown)	RE0084401	RE0084401	RE0084401	RE0084401	RE0084401	RE0084401
Temp Sensor (not shown)	E2347600	E2347600	E2347600	E2347600	E2347600	E2347600
Outdoor Sensor (not shown)	E2347400	E2347400	E2347400	E2347400	E2347400	E2347400
<u>Water System</u>						
11 Heat Exchanger	R0402001	R0402002	R0402003	R0402004	R0402005	R0402006
12 Pressure Relief Valve, 30PSI	R0061400	R0061400	R0061400	R0061400	R0061400	R0061400
13A Well, Immersion, 1/2" NPT	E0025902	E0025902	E0025902	E0025902	E0025902	E0025902
13B Well, Immersion, 3/4" NPT	E2345700	E2345700	E2345700	E2345700	E2345700	E2345700
14 Drain Valve 1/2" NPT (not shown)	70-216	70-216	70-216	70-216	70-216	70-216
Temp/Pressure Gauge (not shown)	R0060600	R0060600	R0060600	R0060600	R0060600	R0060600
<u>Jacket and Fire Box Components</u>						
15 Draft Diverter	11020101	11020102	11020103	11020104	11020105	11020106
16 Rear Panel	11020201	11020201	11020203	11020203	11020205	11020206
17 Jacket	11020301	11020301	11020303	11020303	11020305	11020306
18 Top	11020401	11020401	11020403	11020404	11020405	11020406
19 Cover, Piping, Top	11047603	11047604	11047603	11047604	11047604	11047606
20 Flue Collector	20034901	20034902	20034903	20034904	20034905	20034906
21 Access Panel HX, (L&R)	10535900	10535900	10535900	10535900	10535900	10535900
22 Base, Control Box	20608500	20608500	11045700	11045700	11045700	11045700
23 Cover, Control Box	11045901	11045901	11045800	11045800	11045800	11045800
24 Burner Cover	10500601	10500601	10500602	10500602	10494105	10494106
25 Heat Exchanger Baffle	10485301	10485308	10485309	10485311	10485310	10485306
26 Tile Cover	10469501	10469502	10469503	10469504	10469505	10469506
27 Refractory, Front	T0022001	T0022002	T0022003	T0022004	T0022605	T0022606
28 Refractory, Rear	T0021701	T0021702	T0021703	T0021704	T0021705	T0021706
29 Base Assembly	10467101	10467102	10467103	10467104	10467105	10467106
Non-Combustible Base Kit (optional)	10466701	10466701	10466702	10466702	10466703	10466704
<u>Vent Damper Components</u>						
Vent Damper Assembly (not shown)	E2071501	E2071502	E2071502	E2071503	E2071503	E2071504
Vent Damper Harness (not shown)	E0099100	E0099100	E0099100	E0099101	E0099101	E0099101

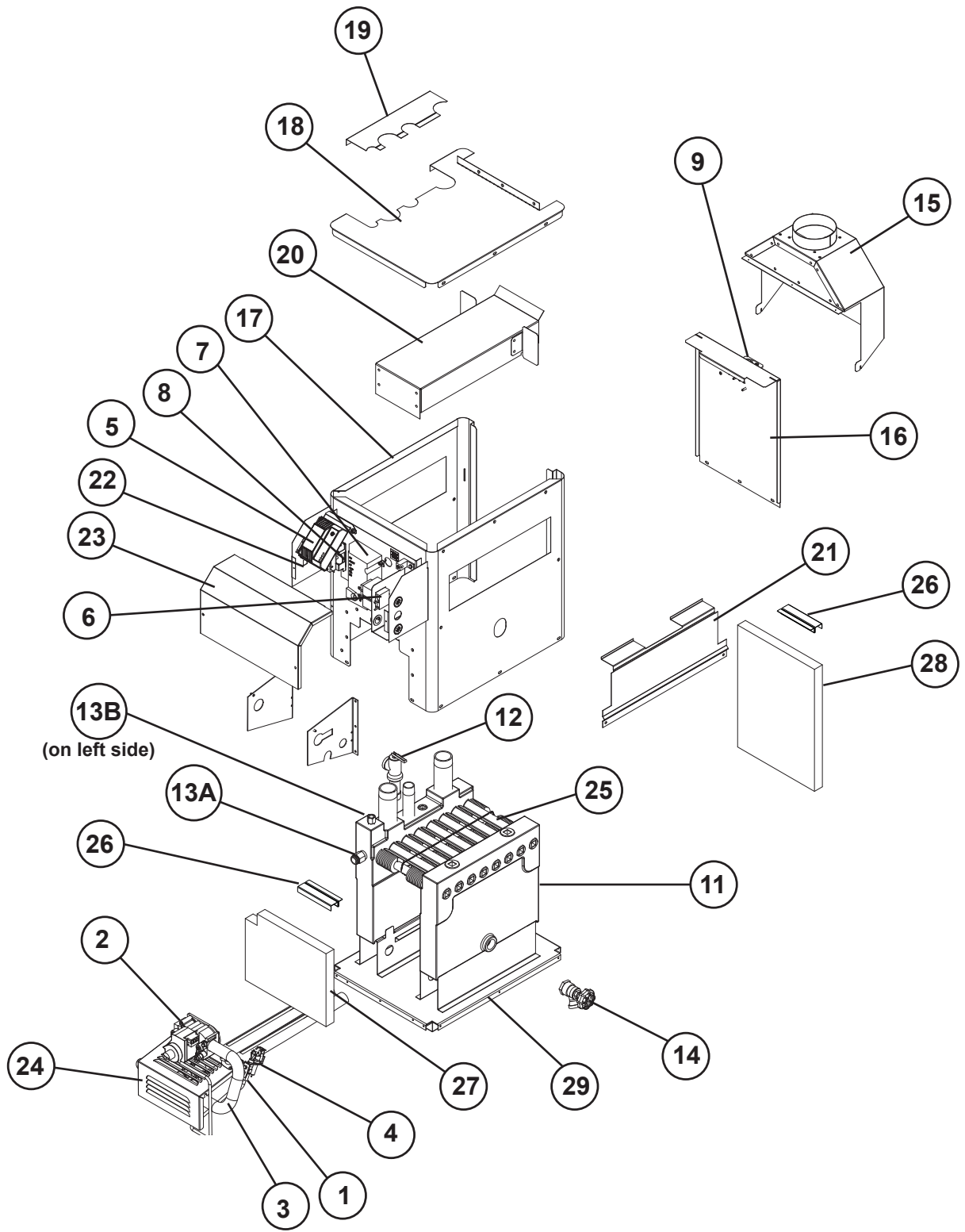


Figure 19B. JVS Parts Identification.



H2355800B