

SECTION 13.

Replacement Parts

Use only genuine LAARS replacement parts.

13.1 General Information

To order or purchase parts for the LAARS Mascot II, contact your nearest LAARS dealer or distributor. If they cannot supply you with what you need, contact Customer Service (see back cover for address, telephone and fax numbers).

13.2 Parts List

ITEM	DESCRIPTION	SIZE 125
PANEL ASSEMBLIES – See Figures 27-30		
1	Panel, front, top, assy	12H3005
1A	Panel, top, upper	12H7001
1B	Screw, captive, .19 x .54 fast lead, phil pan hd	F2028100
1C	Screw, #8-32 x 3/8", phil pan hd	F2027100
1D	Gasket, strip, foam, adhesive, 3/8 x 1/8	S2113900
1E	Panel, front, top, subassy	12H3015
1F	Washer, retaining, .50 OD, nylon	F2028200
2	Panel, front, middle, assembly, LMH	12H3003
	Panel, front, middle, assembly, LMC	12H3033
2A	Panel, front, middle, plastic	12H7002
2B	Gauge, press/temp, remote	A2117600
2C	Switch, Rocker, 120V, amber	E2335000
2D	Display module, electronic	RE2333500
2E	Hinge, front panel, middle	12H3008
2F	Circuit Breaker, 10 Amp, 120V	E2318900
2G	Circuit Breaker, 2A, 120V	E2335100
2H	Support, middle panel	12H3017
2I	Screw, #6 x 3/8" thd forming for plastic	1-418
2J	Screw, #8-32 x 3/8", phil pan hd	F2027100
2K	Rivet, pop, 3/16 diameter	F2015900
2L	Latch, magnet, .56 dia, 3.1 lbs	F2028300
2M	Harness, wire, power switch/circuit breaker	E2334501
2N	Harness, wire, display/+24V circuit breaker	E2334502
3	Panel, front, bottom, assembly	12H3004
3A	Control, programmed	12H7050
3B	Bracket, mounting, control	12H7004
3C	Panel, front, bottom, plastic	12H7003
3D	Hinge, front panel, bottom	12H3007
3E	Rivet, pop, 3/16 diameter	
3F	Screw, #8-32 x 3/8", phil pan hd	
3G	Washer, retaining, .50 od, nylon	
3H	Screw, captive, .19 x .54 fast lead, phil pan hd	
4	Panel, left side	12H3019
5	Panel, right side	12H3018

ITEM	DESCRIPTION	SIZE 125
BASE JACKET ASSEMBLY - see Figure 31		
6	Base, jacket, assembly	12H3001
6A	Base, jacket	12H3011
6B	Screw, 8-32unc x 1.5l	F2001900
6C	Bracket, wall attach	12H3012
6D	Screw, hex head, 1/4-20 unc x .75" lg.	F2011600
6E	Nut, flange, serrated, hex head, 1/4"	10-103
6F	Bracket, hx, right side	12H3010
6G	Bracket, hx, left side	12H3016
6H	Screw, #8-18 x 1/2, phil pan hd	F2027000
6I	Switch, pressure, air/gas, inlet	E2334900
6J	Transformer, 40Va, 115V/24V	R0021300
6K	Bracket, transformer	12H3009
6L	Rivet, pop, 3/16 diameter	F2015900
HEAT EXCHANGER CABINET - see Figure 32		
7A	Grommet, pipe, wire, multi size, rubber	S2114000
7B	Heat exchanger	S2113800
7BB	Gasket, vent adapter	12H5501
7C	Washer, clamping, hx bracket	12H3023
7D	Washer, M5, lock, internal tooth	F2023700
7E	Screw, M5-0.8 X 14mm, soc Hd	F2025300
7G	Gasket, blower fan	S2105400
7H	Screw, #8-18 x 1/2, phil pan hd	F2027000
7I	Vent, air, auto, 1/4" bspp	P2074500
7J	Pipe, air vent	12H4010
7K	Sensor, temperature, water, 1/4" npt	RE2320600
7L	Rivet, pop, 3/16 diameter	F2015900
7M	Terminal, 1/4" push-on, male, red	E0005501
7N	Heat exchanger	S2113800
7O	Blower, combustion air	RA2107500
7P	Washer, sealing, .410 OD	F2027700
7Q	Plate, venturi	12H5002
7R	Screw, m5 x 8, soc hd cap	F2029300
7S	O-ring, 2 1/8 id x 3/32 thick	S2116000
7T	Adapter, vent, cpvc	12H5500
7U	Plug, hex, 1/8" npt	500-168
7V	Sensor, temperature, air, 1/4" bsp, 1.85 l	RE2319700
7W	Sensor, temperature, water, duplex	RE2319900

ITEM DESCRIPTION	SIZE 125
BURNER COMPONENTS - see Figure 33	
1 Burner, main	R2069102
2 Gasket, burner	RS2108500
3 Tile, refractory, front, combustion chamber	RT2109000
4 Ignitor, spark, w/gasket	R2069300
5 Flame sensor, w/gasket	R2069200
6 Burner door with gaskets	RS2108300
7 Air/gas channel	RS2108400
8 Screw, air/gas channel	RS2109400
10 Heat exchanger	RS2111200
11 Gasket, ignitor	RW2013300
12 Burner door, w/gaskets	62108300
13 Repair kit, rear refractory tile	R50D2021
14 Gaskets-only (burner door)	
15 Screw, ignitor/flame sensor, M4-.7X8MM	
16 Ignitor gasket	RW2013300
17 Flame/sensor gasket	RW2013400
PUMP ASSEMBLY - see Figure 34	
8 Pump assembly	
8A Bracket, control valve	12H4012
8B Trap, condensate, small capacity	A2117500
8C Screw, M4 x 10, soc hd cap	F2029400
8D Valve, gas	V2020600
8E Bumper, rubber, 21/32" base dia. x 1/2" height, 5/32" thru hole	S2114800
8F Washer, sealing, 0.93 OD x 0.62 ID contact	
8G Pipe, 3 way valve to dhw factory	
8H Bracket, 3 way valve	12H4019
8I Screw, #8-18 x 1/2, phil pan hd	F2027000
8J Bracket, capture, hex	12H4022
8K Valve, three way, with actuator	A2117802
8L Pump	A2117700
8M Screw, 6-20 x 1/2" I self tapping	F0024200
8N Sensor, temperature, dhw, 1/4" npt	E2337500
8O Exchanger, heat, plate	
8P Tie, cable, 14-3/4 long x 0.31" wide, heat stabilized	F2029100
8Q Flow switch, water	E2337400
8R Pipe, tailpiece, 1" npt M x 3/4 tube, cu	12H4023
8S O-ring, -120, 1" ID x 1-3/16" OD	S2116300
8T Pipe, pvc, 3/4" sch 40	P2067603
8U Terminal, 1/4" push-on, male, red	E0005501
8V Terminal, 1/4" push-on, female, red	E0005502

ITEM DESCRIPTION	SIZE 125
PLUMBING COMPONENTS - see Figure 35	
P1 Tank, expansion, rect, 10 liter	A2117400
P2 Bracket weldment, expansion tank	12H3020
P3 Grommet, pipe, wire, multi size, rubber	S2114000
P4 Pipe, gas	12H4011
P5 O-ring, 20.04 mm ID x 27.10 mm OD	S2115100
P6 Pipe, pump to hx inlet	12H4004
P7 Pipe, hx outlet to dhw	12H4001
P8 Switch, press, 3-30 psi, 1/4" bspp	P2074600
P9 Gasket, expansion tank	12H3006
P10 Tee, 1/4" barb, plastic	10-596
P11 Washer, sealing, .59 OD x .32 ID x .06 poly	F2027500
P12 Pipe, expansion tank	12H4006
P13 Washer, sealing, 0.93 OD x 0.62 ID	F2025502
P14 Washer, sealing, .410 OD	F2027700
P15 Switch, pressure, 3.80" w.c. set point	E2336500
P16 Hose, drain, condensate	12H2500
P17 Tie, cable, heat stabilized, 5"	F2028400
P18 Tube, silicone, .188 ID x .318 OD x 23" long	Q0078800
P19 Cotter pin, horse shoe, 1/8, zinc pl	F2029000

Not Shown:

Harness, wire, main	E2337600
Connector assembly	12H7009
Relay, 24vac, Dpdt 8	12H7008
Harness, wire, main, heat only 2	12H7010
Harness, wire, main, lmc	E2337600
Wire, spark ignition	12H7005
Wire assy, flame sensor	12H7006
Plug, 3 prong, with cord, 14 awg 7	E2334500

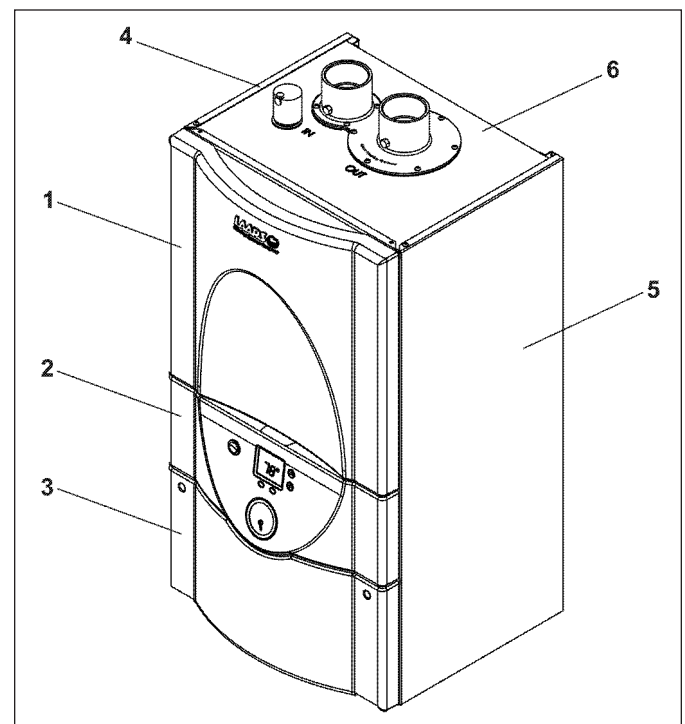


Figure 27. Outside Panels.

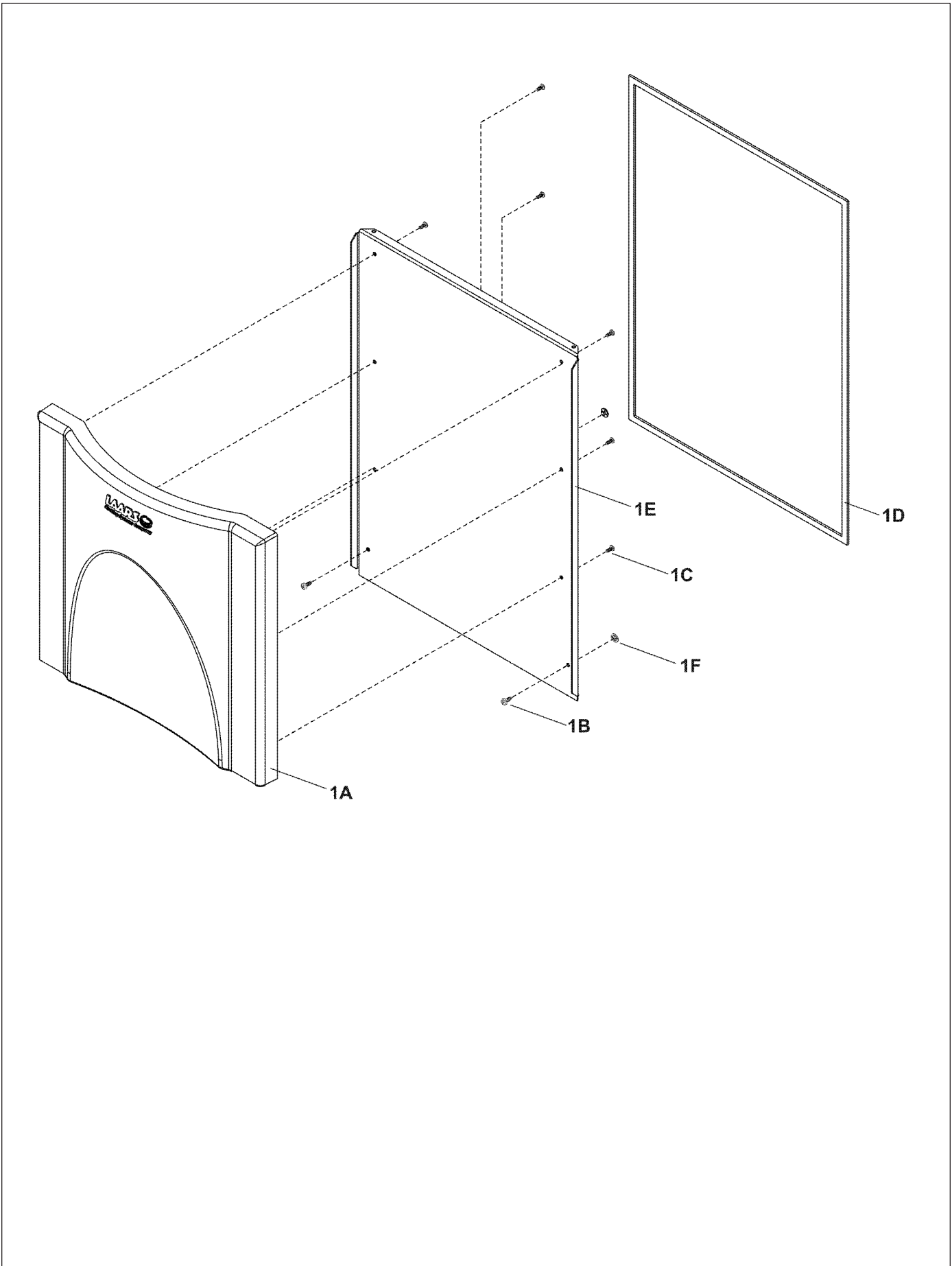


Figure 28. Panel Assembly, Door Top.

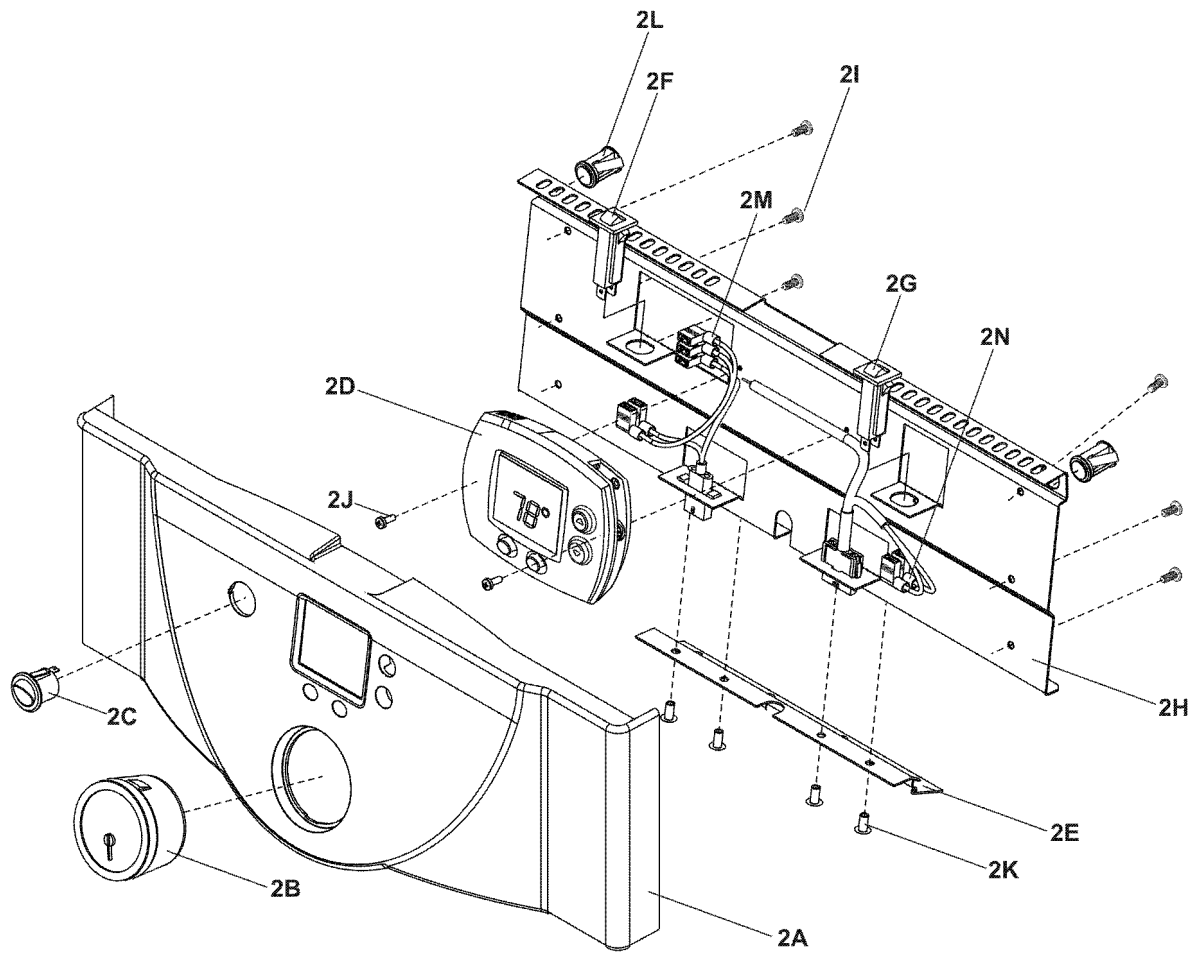


Figure 29. Panel Assembly, Door Middle.

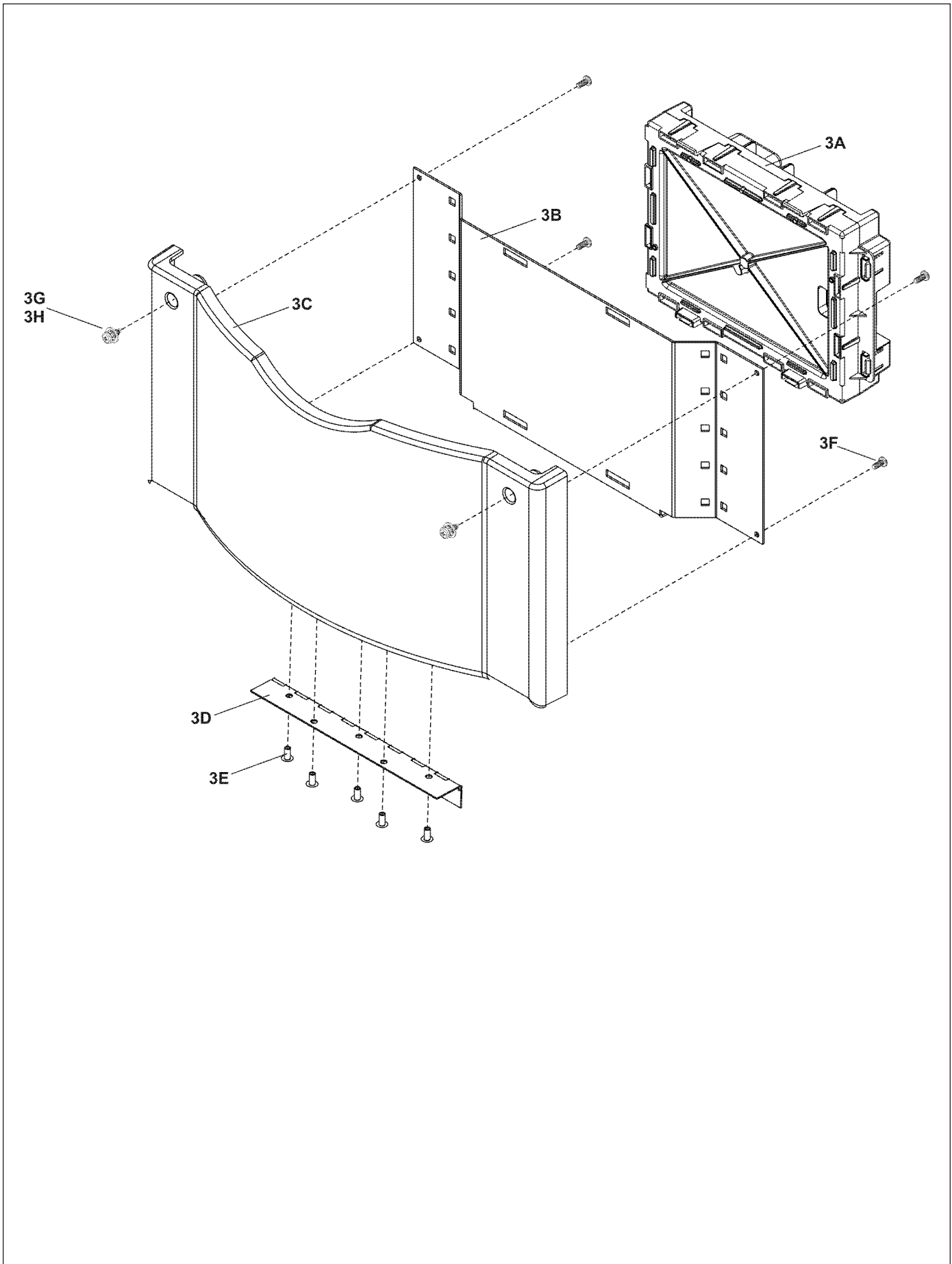


Figure 30. Panel Assembly, Door Bottom.

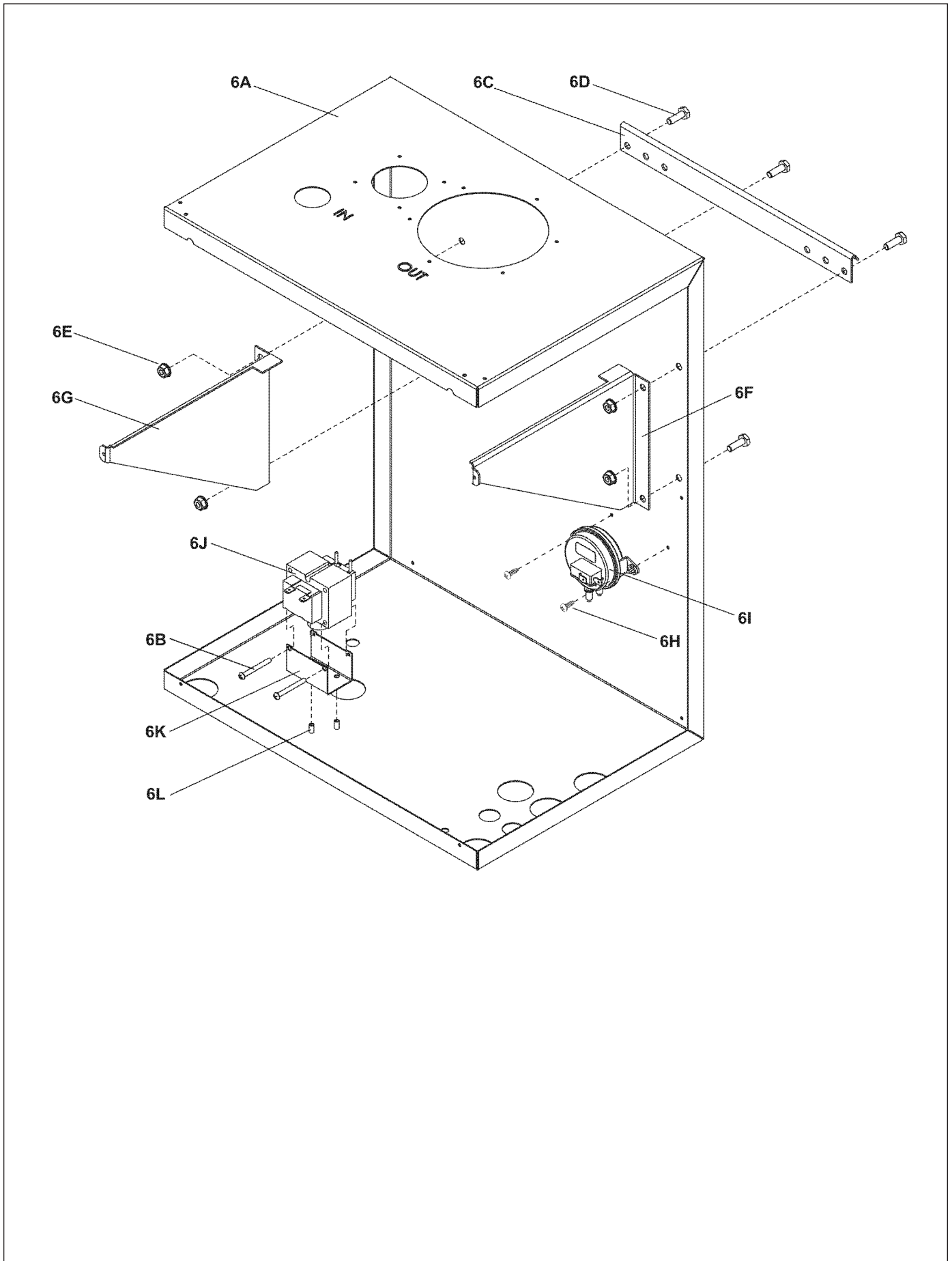


Figure 31. Base Jacket Assembly.

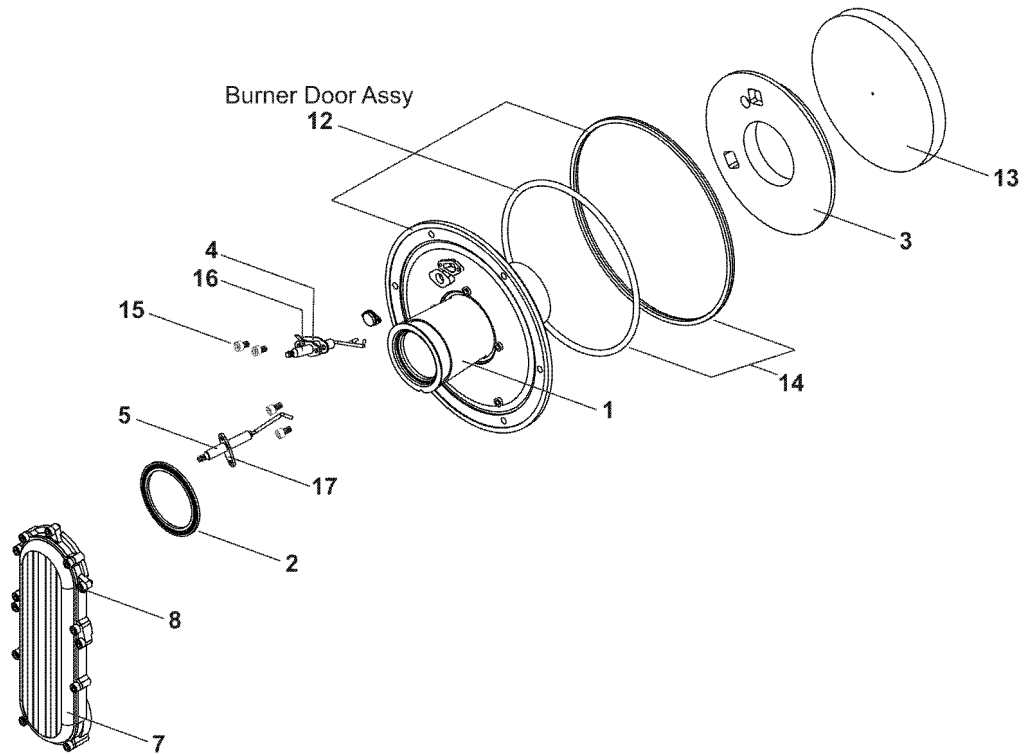


Figure 33. Heat Exchanger Burner Components.

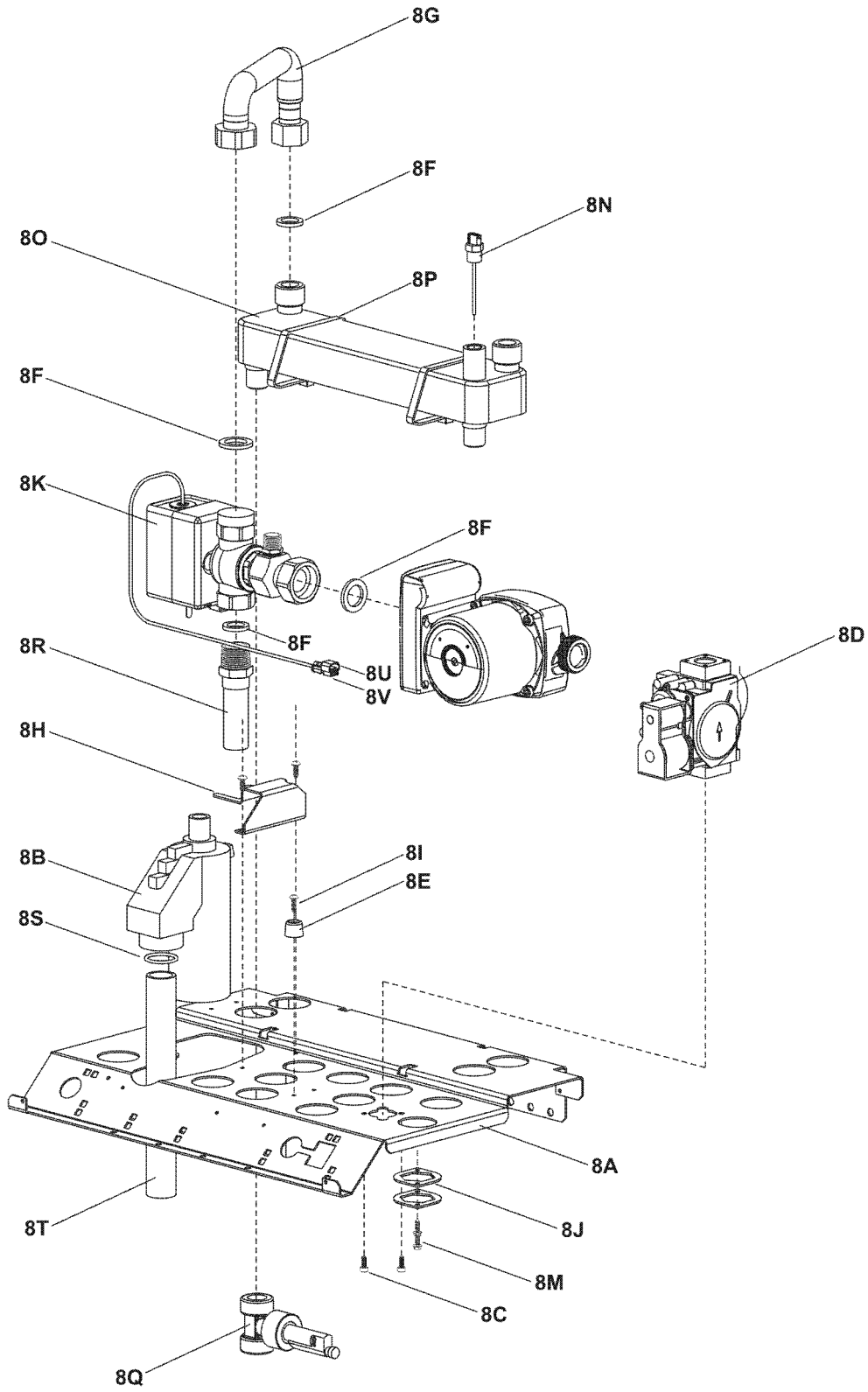


Figure 34. Pump Assembly Components.

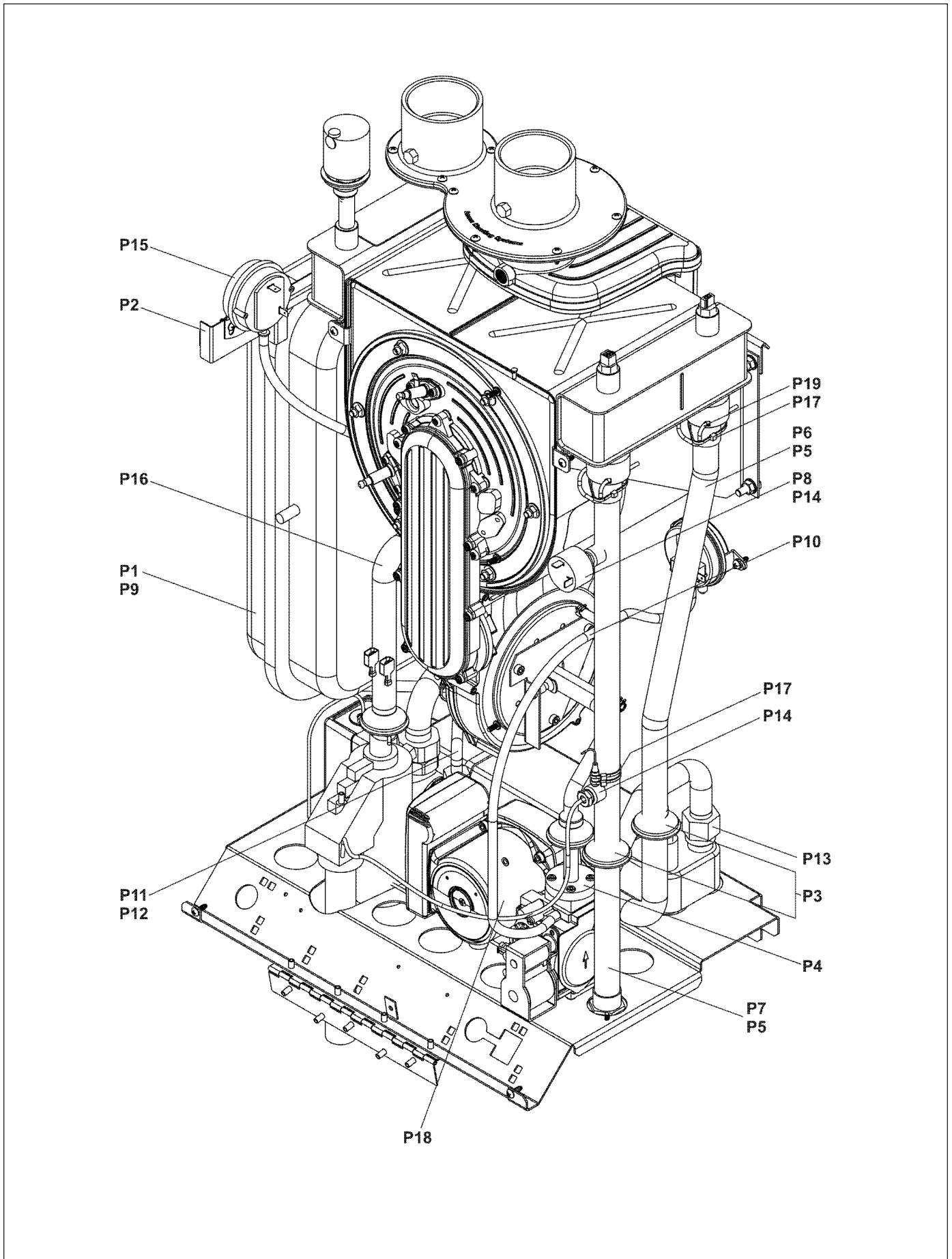
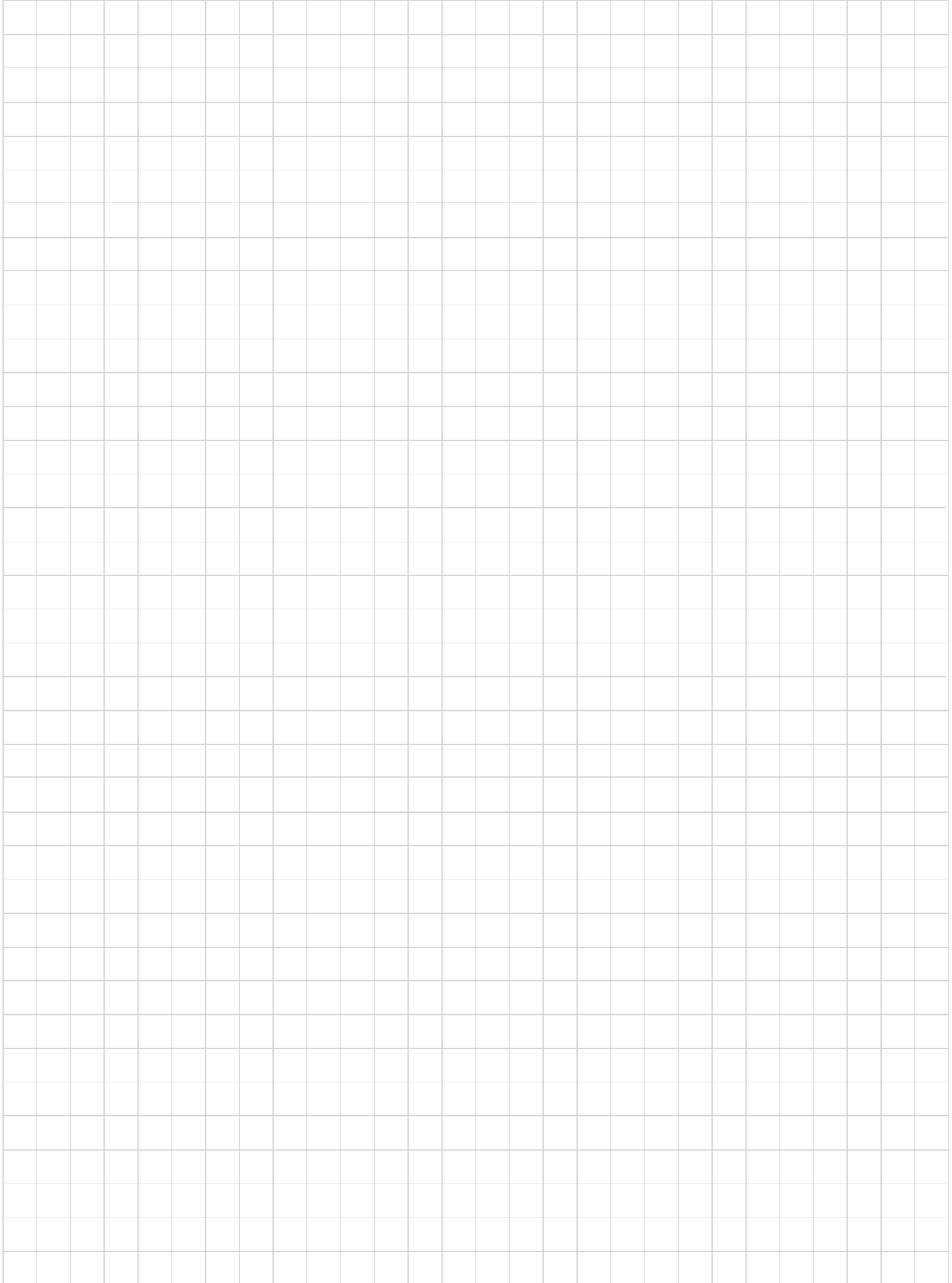
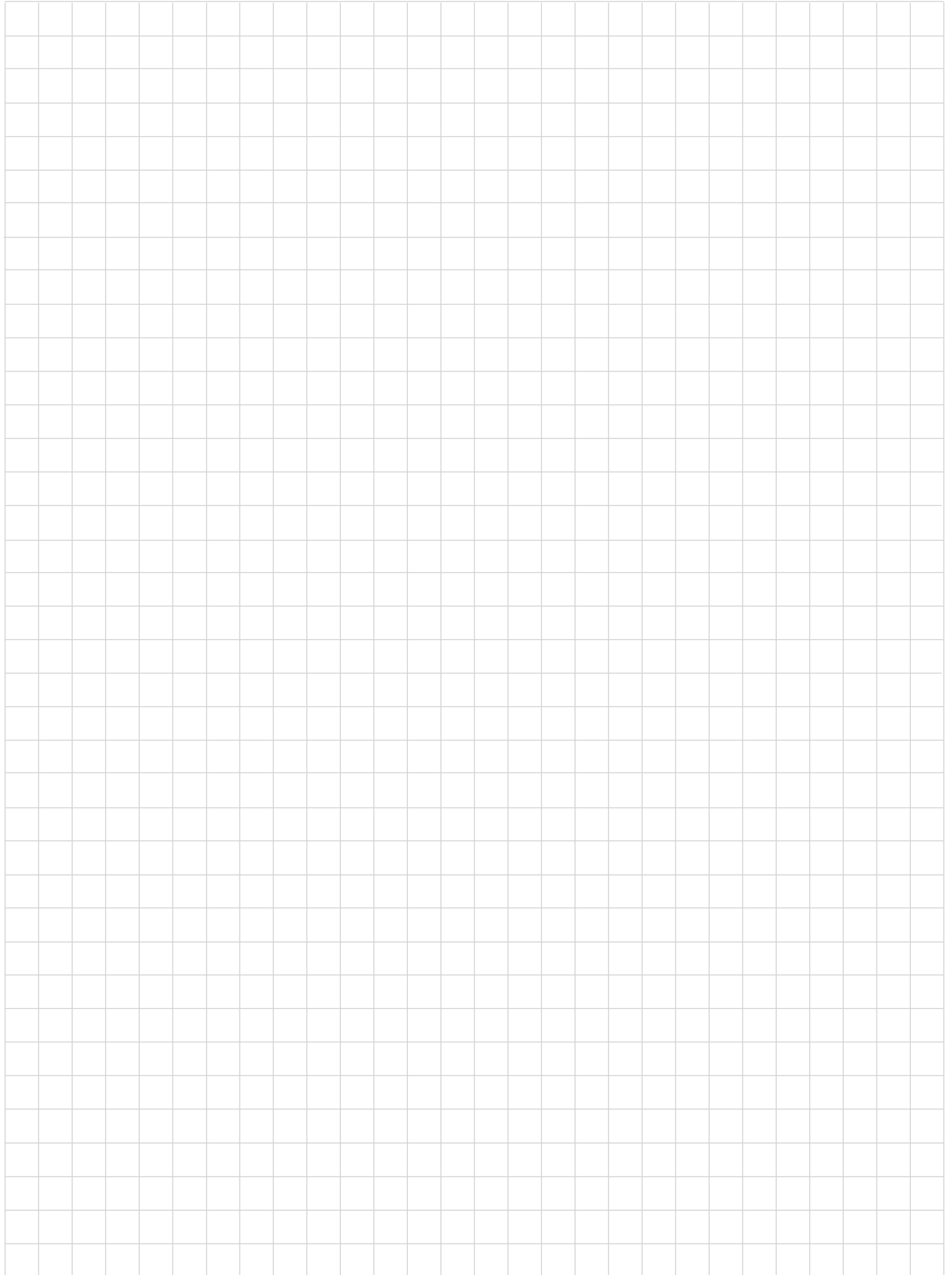


Figure 35. Plumbing Components.







Dimensions and specifications subject to change without notice in accordance with our policy of continuous product improvement.



H2338-100C