

## Installation, Operation and Maintenance Instructions for

# Endurance

**EBP Series** Modulating Combination Boiler  
(natural or propane gas)

**EDP Series** Modulating Hydronic Boiler  
(natural or propane gas)

**EDN Series** Modulating Boiler, non ferrous  
(natural or propane gas)

### WARNING

**FOR YOUR SAFETY:** This product must be installed and serviced by a professional service technician, qualified in hot water boiler installation and maintenance. Improper installation and/or operation could create carbon monoxide gas in flue gases which could cause serious injury, property damage, or death. Improper installation and/or operation will void the warranty. As an additional measure of safety, Laars strongly recommends installation of suitable carbon monoxide detectors in the vicinity of this appliance and in any adjacent occupied spaces.

### WARNING

If the information in this manual is not followed exactly, a fire or explosion may result causing property damage, personal injury or loss of life.

Do not store or use gasoline or other flammable vapors and liquids in the vicinity of this or any other appliance.

#### WHAT TO DO IF YOU SMELL GAS

- Do not try to light any appliance.
- Do not touch any electrical switch; do not use any phone in your building.
- Immediately call your gas supplier from a nearby phone. Follow the gas supplier's instructions.
- If you cannot reach your gas supplier, call the fire department.

Installation and service must be performed by a qualified installer, service agency, or gas supplier.

### AVERTISSEMENT

Assurez-vous de bien suivre les instructions données dans cette notice pour réduire au minimum le risque d'incendie ou d'explosion ou pour éviter tout dommage matériel, toute blessure ou la mort.

Ne pas entreposer ni utiliser d'essence ni d'autres vapeurs ou liquides inflammables dans le voisinage de cet appareil ou de tout autre appareil.

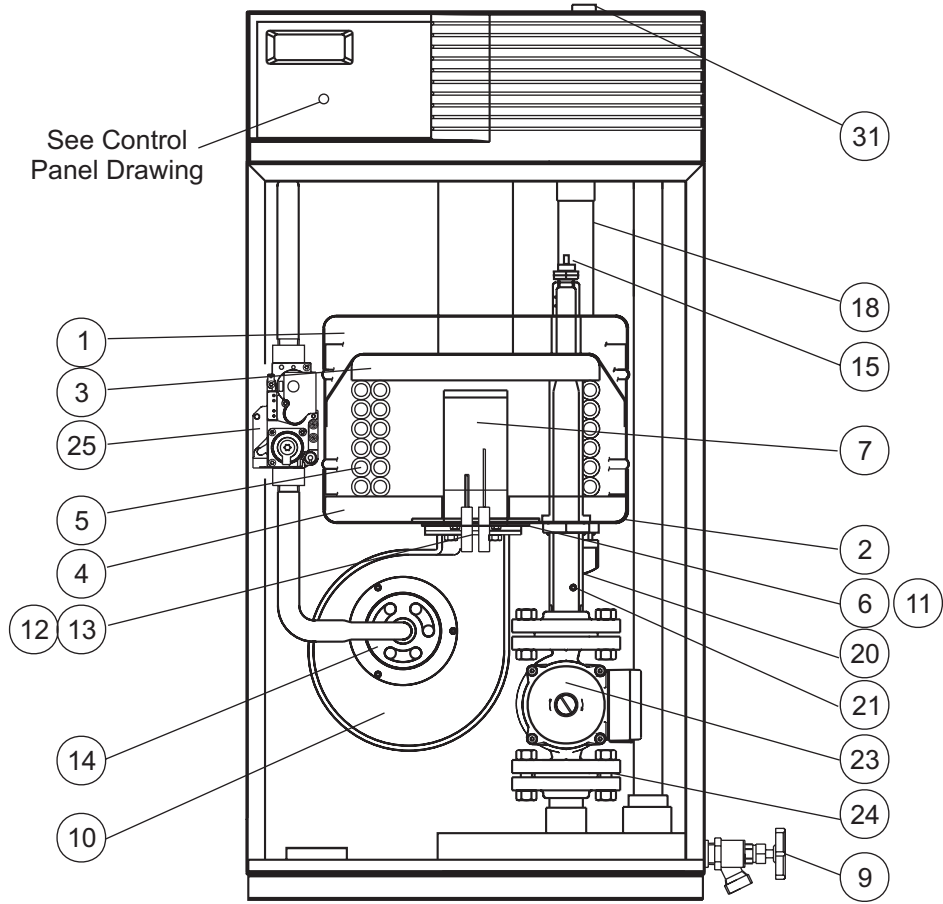
#### QUE FAIRE SI VOUS SENTEZ UNE ODEUR DE GAZ:

- Ne pas tenter d'allumer d'appareils.
- Ne touchez à aucun interrupteur. Ne pas vous servir des téléphones dans le bâtiment où vous vous trouvez.
- Appelez immédiatement votre fournisseur de gaz depuis un voisin. Suivez les instructions du fournisseur.
- Si vous ne pouvez rejoindre le fournisseur de gaz, appelez le service des incendies.

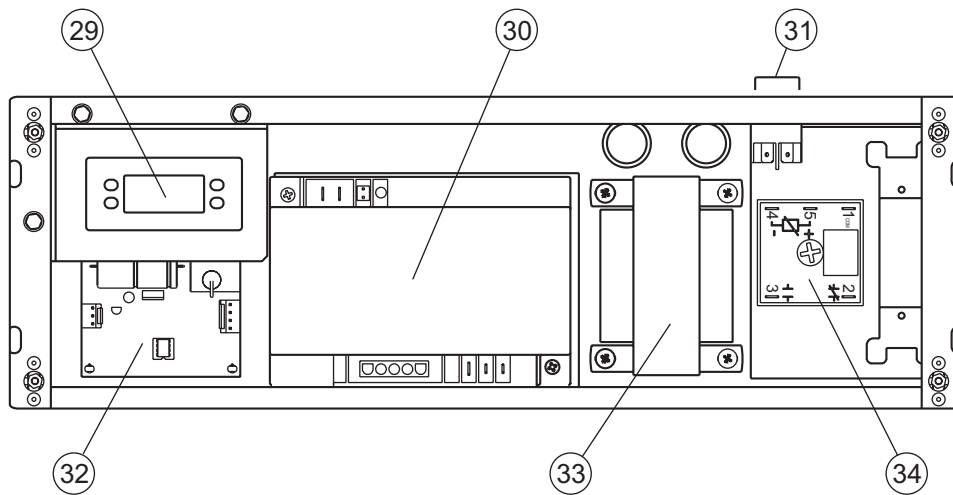
L'installation et l'entretien doivent être assurés par un installateur ou un service d'entretien qualifié ou par le fournisseur de gaz.

## SECTION 12. Parts Identification

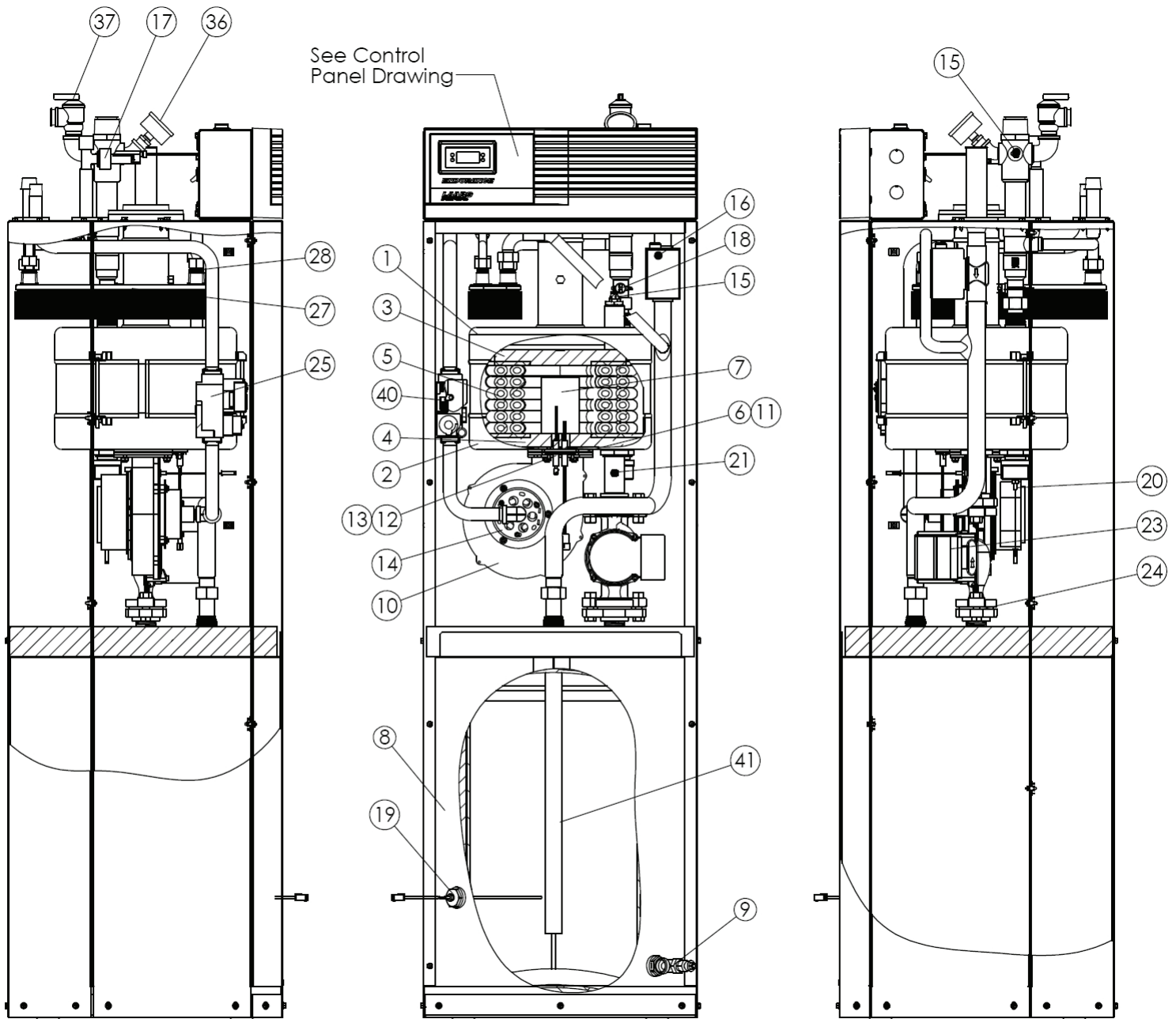
Item #	Description	EBP0110	EBP0175	EDP0110	EDP0175	EDN0110	EDN0175
1.	Pan, Combustion Chamber, Top	2400-502	2400-502	2400-449	2400-449	2400-449	2400-449
2.	Pan, Combustion Chamber, Bottom	2400-504	2400-504	2400-504	2400-504	2400-504	2400-504
3.	Insulation, Coil Cover	2400-506	2400-506	2400-506	2400-506	2400-506	2400-506
4.	Insulation, Boiler Coil	2400-508	2400-508	2400-508	2400-508	2400-508	2400-508
5.	Comb. Chamber/Coil Assy.	2400-510	2400-512	2400-510	2400-512	2400-510	2400-512
6.	Gasket, Burner	2400-514	2400-514	2400-514	2400-514	2400-514	2400-514
7.	Burner	2400-516	2400-518	2400-516	2400-518	2400-516	2400-518
8.	Transfer Tank	2400-650	2400-650	—	—	—	—
9.	Boiler Drain	2400-522	2400-522	2400-522	2400-522	2400-522	2400-522
10.	Blower, Combustion Air (with gasket)	2400-524	2400-524	2400-524	2400-524	2400-524	2400-524
11.	Gasket, Blower	2400-540	2400-540	2400-540	2400-540	2400-540	2400-540
12.	Ignitor / Flame Sensor (with gasket)	2400-526	2400-526	2400-526	2400-526	2400-526	2400-526
13.	Gasket, Ignitor / Flame Sensor	2400-528	2400-528	2400-528	2400-528	2400-528	2400-528
14.	Adjustable Cover, Fan Inlet	2400-142	2400-142	2400-142	2400-142	2400-142	2400-142
15.	Coin Vent	2400-530	2400-530	2400-530	2400-530	2400-530	2400-530
16.	Anti-Condensing Valve, Complete	2400-451	2400-451	—	—	—	—
17.	Water Flow Switch	2400-542	2400-542	—	—	—	—
18.	Safety Limit, 230°F	2400-550	2400-550	2400-550	2400-550	2400-550	2400-550
19.	Sensor, Tank	2400-445	2400-445	—	—	—	—
20.	Sensor, Supply	2400-445	2400-445	2400-445	2400-445	2400-445	2400-445
21.	Sensor, Return	2400-446	2400-446	2400-446	2400-446	2400-446	2400-446
22.	Thermostatic Union (not shown)	—	—	2400-030	2400-030	2400-447	2400-447
23.	Pump	2400-592	2400-386	2400-592	2400-386	2400-388	2400-388
24.	Gaskets, Pump Flange	2400-566	2400-566	2400-566	2400-566	2400-566	2400-566
25.	Gas Valve	2400-548	2400-548	2400-548	2400-548	2400-548	2400-548
27.	Heat Exchanger, DHW	2400-570	2400-570	—	—	—	—
28.	Gaskets, DHW Heat Exchanger	2400-572	2400-572	—	—	—	—
29.	Boiler Control	2400-439	2400-439	2400-440	2400-440	2400-440	2400-440
30.	Ignition Control	2400-441	2400-441	2400-441	2400-441	2400-441	2400-441
31.	Reset Switch	2400-568	2400-568	2400-568	2400-568	2400-568	2400-568
32.	PWM Board	2400-442	2400-442	2400-442	2400-442	2400-442	2400-442
33.	Transformer	2400-448	2400-448	2400-448	2400-448	2400-448	2400-448
34.	Relay	—	—	R2006100	R2006100	R2006100	R2006100
35.	Wiring Harness (not shown)	2400-443	2400-443	2400-444	2400-444	2400-444	2400-444
36.	Gauge, Pressure	2400-574	2400-574	2400-574	2400-574	2400-574	2400-574
37.	Pressure Relief Valve	2400-112	2400-112	2400-112	2400-112	2400-112	2400-112
38.	Orifice Kit 0-5000' (not shown)	2400-145	2400-145	2400-145	2400-145	2400-145	2400-145
39.	Orifice Kit High Altitude (not shown)	2400-146	2400-146	2400-146	2400-146	2400-146	2400-146
40.	Rectifier & gas valve on/off switch	R0560701	R0560701	R0560701	R0560701	R0560701	R0560701
41.	Dip Tube, Transfer Tank	R0560801	R0560801	—	—	—	—



Model EDP/EDN



Model EBP/EDP/EDN Control Panel



H2313500D

**LAARS** 

**Heating Systems Company**  
A subsidiary of BRADFORD WHITE Corporation

20 Industrial Way, Rochester, NH 03867 • 603.335.6300 • Fax 603.335.3355  
 1355 Kuehner Drive, Simi Valley, CA 93063 • 800.900.9276 • Fax 800.559.1583 (Sales, Service)  
 1869 Sismet Road, Mississauga, Ontario, Canada L4W 1W8 • 905.238.0100 • Fax 905.238.0105  
[www.Laars.com](http://www.Laars.com)

Litho in U.S.A. © Laars Heating Systems 0709 Document 1187D