



Doc# 11018 E

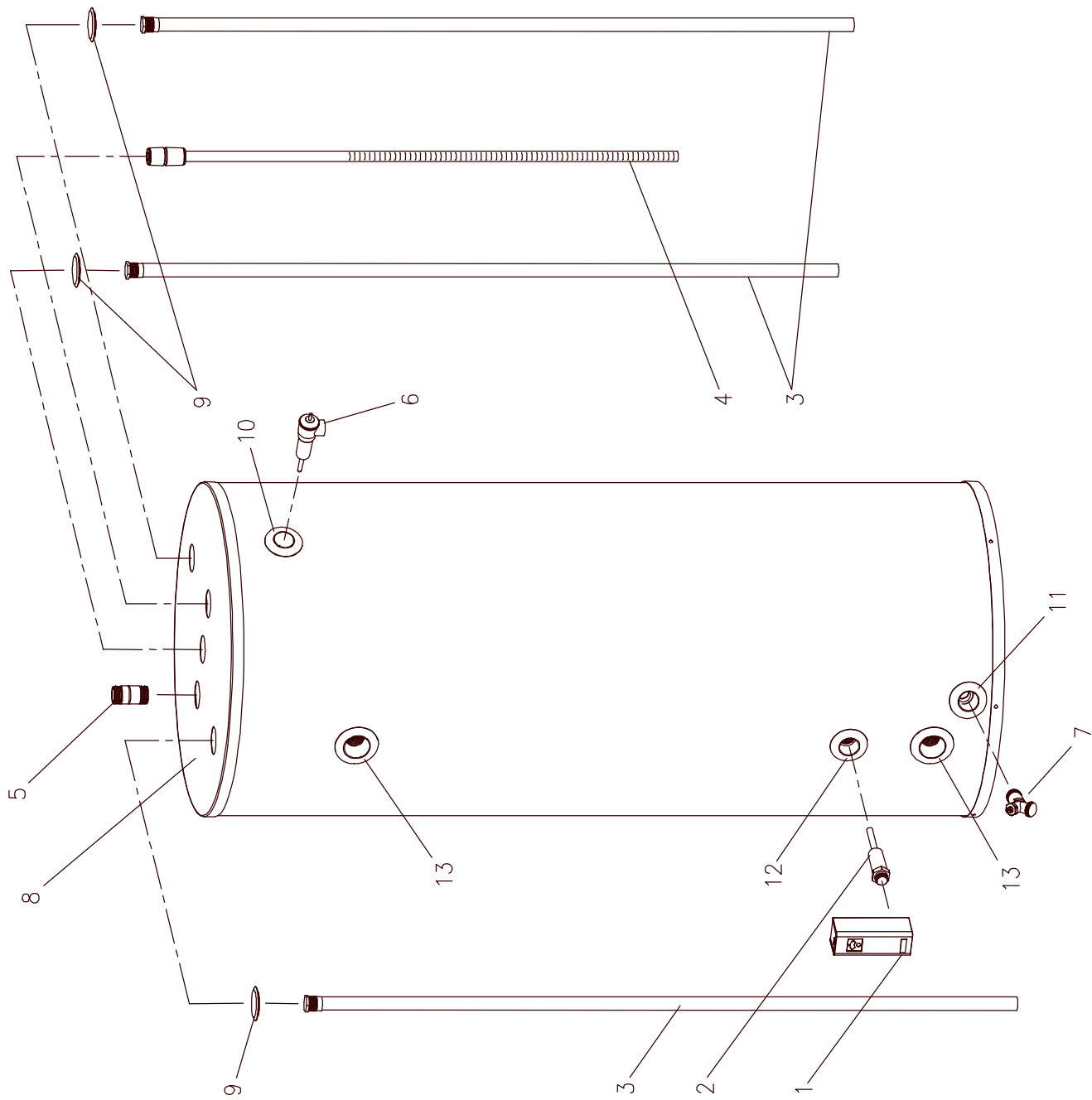
# INDIRECT HEATER REPLACEMENT PARTS LIST

## Single Wall Indirect (SW) Models

***Effective: March 8, 2012***  
***ECO 7496***

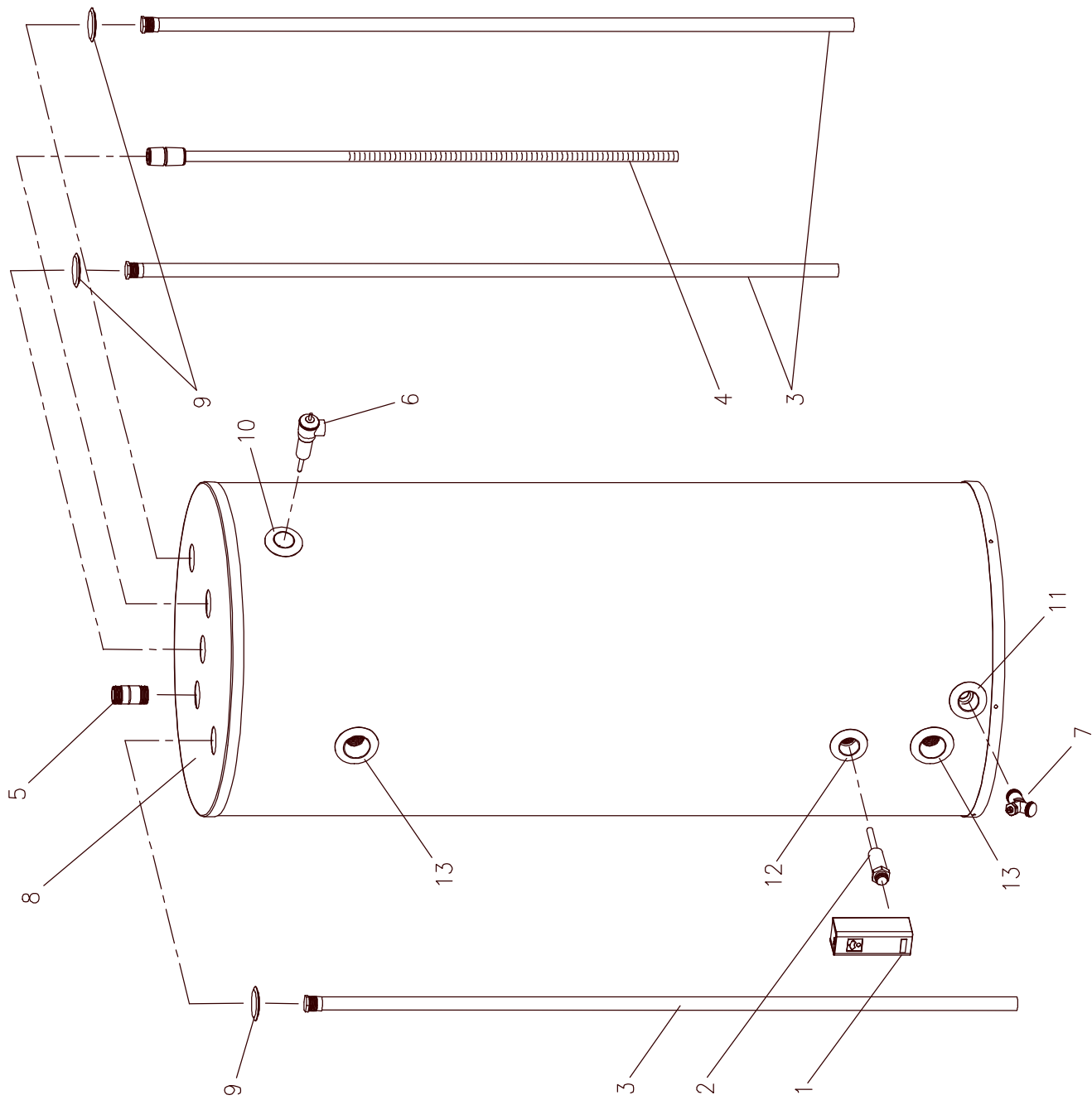
NOTE: BOTH MODEL AND SERIAL  
NUMBERS ARE REQUIRED FOR  
ORDERING REPLACEMENTS  
PARTS.

Dimensions and specification subject to  
change without notice.



Item	Description	Model SW-2-30-L	Model SW-2-40-L	Model SW-2-40R-L	Model SW-2-50-L	Model SW-2-50R-L	Model SW-2-65-L
1	Aquastat	243-44416-00	243-44416-00	243-44416-00	243-44416-00	243-44416-00	243-44416-00
2	Aquastat Well	233-43315-00	233-43315-00	233-43315-00	233-43315-00	233-43315-00	233-43315-00
3	Anode-Hex Plug type (aluminum)	224-47783-05	224-47783-05	224-47783-05	224-47783-05	224-47783-07	224-47783-06
4	Anode-Hex Plug type (A420 Aluminum)#	224-49559-04	224-49559-04	224-49559-04	224-49559-04	224-49559-04	224-49559-04
4	Cold Water Inlet Dip Tube (Polysulfone)	229-39628-02*	229-39628-02*	229-39628-04	229-39628-02*	229-39628-06	229-39628-10*
5	Hot Water Outlet Nipple	229-43386-01*	229-43386-01*	229-43386-01	229-43386-01*	229-43386-01	229-43386-01*
6	T&P Relief Valve	230-40594-02	230-40594-02	230-40594-02	230-40594-02	230-40594-02	230-40594-02
7	Brass Drain Valve	227-42351-02	227-42351-02	227-42351-02	227-42351-02	227-42351-02	227-42351-02
8	Jackpot Head	243-45259-01	243-44974-01	243-45259-01	243-44974-02	243-45259-01	243-45259-01
9	Hole Closure	239-31547-02	239-31547-02	239-31547-02	239-31547-02	239-31547-02	239-31547-02
10	Escutcheon	239-41337-00	239-41337-00	239-41337-00	239-41337-00	239-41337-00	239-41337-00
11	Escutcheon	239-41337-00	239-41337-00	239-41337-00	239-41337-00	239-41337-00	239-41337-00
12	Escutcheon	239-41337-00	239-41337-00	239-41337-00	239-41337-00	239-41337-00	239-41337-00
13	Escutcheon	239-43303-00	239-43303-00	239-43303-00	239-43303-00	239-43303-00	239-43303-00

\* Nipple extender 229-19100-00 may be required for earlier models, please provide serial number.  
# A420 Anode may need to be cut to length



Item	Description	Model	Model	Model	Model	Model
		SW-2-80-L	SW-2-120-L	SW-65C-5	SW-80C-5	SW-120C-5
1	Aquastat	243-44416-00	243-44416-00	243-44416-00	243-44416-00	243-44416-00
2	Aquastat Well	233-43315-00	233-43315-00	233-43315-00	233-43315-00	233-43315-00
3	Anode-Hex Plug type (aluminum)	224-47783-06	224-47783-06	224-47783-06	224-47783-06	224-47783-06
4	Anode-Hex Plug type (A420 Aluminum)#	224-49559-04	224-49559-04	224-49559-04	224-49559-04	224-49559-04
4	Cold Water Inlet Dip Tube (Polysulfone)	229-39628-10*	229-43632-04	229-43632-01	229-43632-01	229-43632-04
5	Hot Water Outlet Nipple	229-43386-01*	229-43386-03	229-43386-02	229-43386-02	229-43386-03
6	T&P Relief Valve	230-40594-02	230-40594-02	230-33630-04	230-33630-04	230-33630-04
7	Brass Drain Valve	227-42351-02	227-42351-02	227-42351-02	227-42351-02	227-42351-02
8	Jacket Head	243-44974-01	243-43322-01	243-45259-02	243-43321-02	243-43322-01
9	Hole Closure	239-31547-02	239-31547-02	239-31547-02	239-31547-02	239-31547-02
10	Escutcheon	239-41337-00	239-41337-00	239-81470-02	239-81470-02	239-81470-02
11	Escutcheon	239-41337-00	239-41337-00	239-41337-00	239-41337-00	239-41337-00
12	Escutcheon	239-41337-00	239-41337-00	239-41414-00	239-41414-00	239-41414-00
13	Escutcheon	239-43303-00	239-43303-00	239-43303-00	239-43303-00	239-43303-00

\* Nipple extender 229-19100-00 may be required for earlier models, please provide serial number.  
# A420 Anode may need to be cut to length





*Laars Heating Systems Company reserves the right to change specifications, components, features, or to discontinue products without notice.*



**Customer Service and Product Support: 800.900.9276 • Fax 800.559.1583**  
**Headquarters: 20 Industrial Way, Rochester, NH 03867 • 603.335.6300 • Fax 603.335.3355**  
1869 Sismet Road, Mississauga, Ontario, Canada L4W 1W8 • 905.238.0100 • Fax 905.366.0130  
**[www.Laars.com](http://www.Laars.com)**

Litho in U.S.A. © Laars Heating Systems 1511 Document 11018E