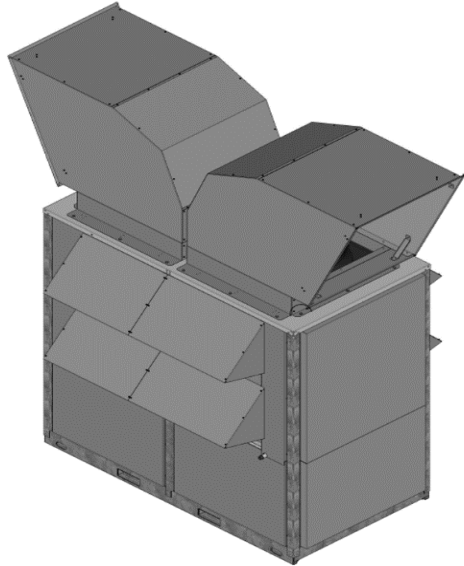


E-Therm Weather Shield Kit CA022500



Date:

Project #:

Engineer:

Prepared By:

Bid Date:



Submittal Data

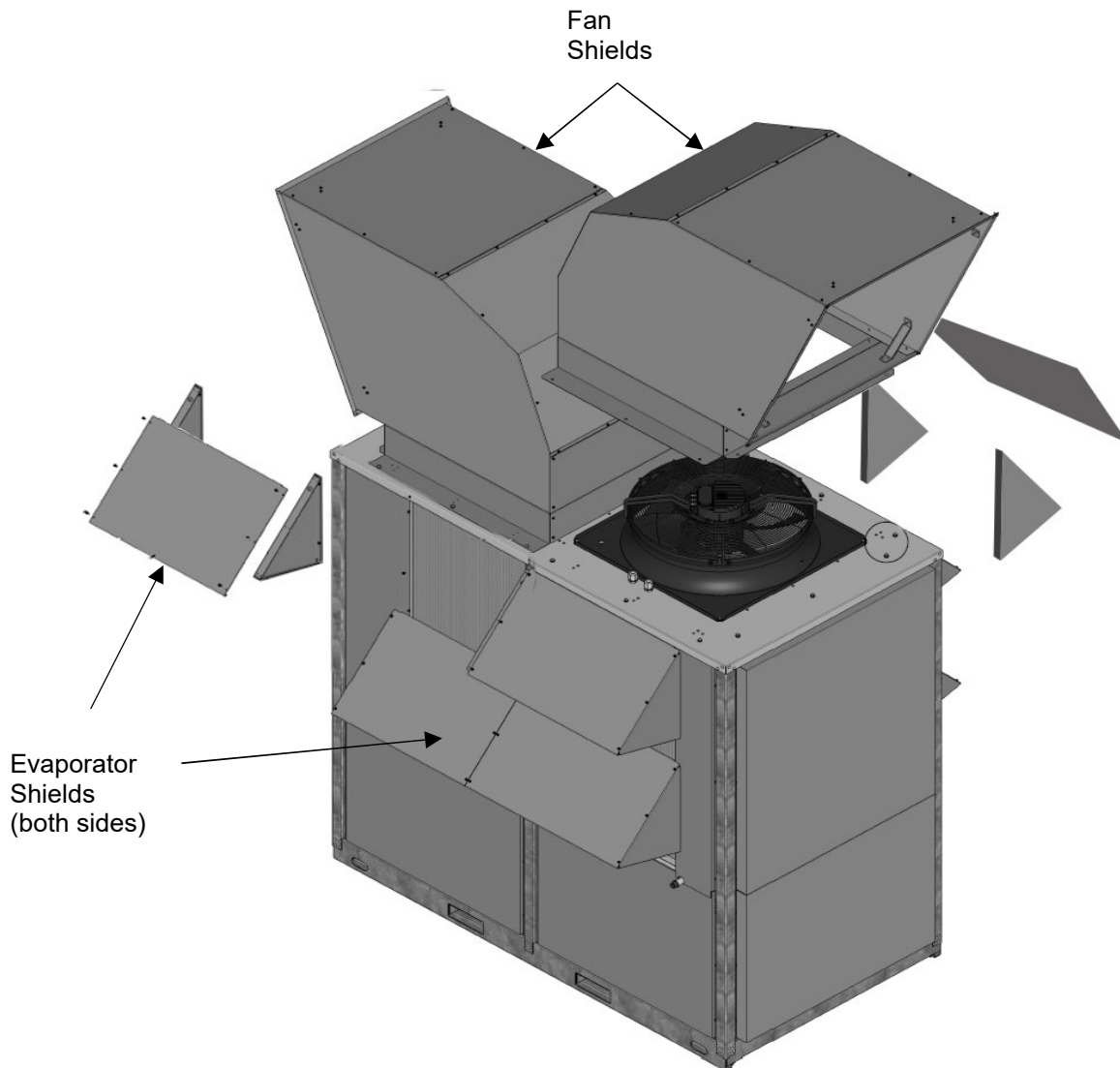
Project Name:

Location:

Contractor:

Standard Equipment

- Evaporator shield panels for field assembly
- Fan shield panels for field assembly
- All necessary screws and sealing washers



Dimensions

