



Heating Systems Company

A subsidiary of **BRADFORD WHITE** Corporation

RESIDENTIAL GAS REPLACEMENT PARTS LIST

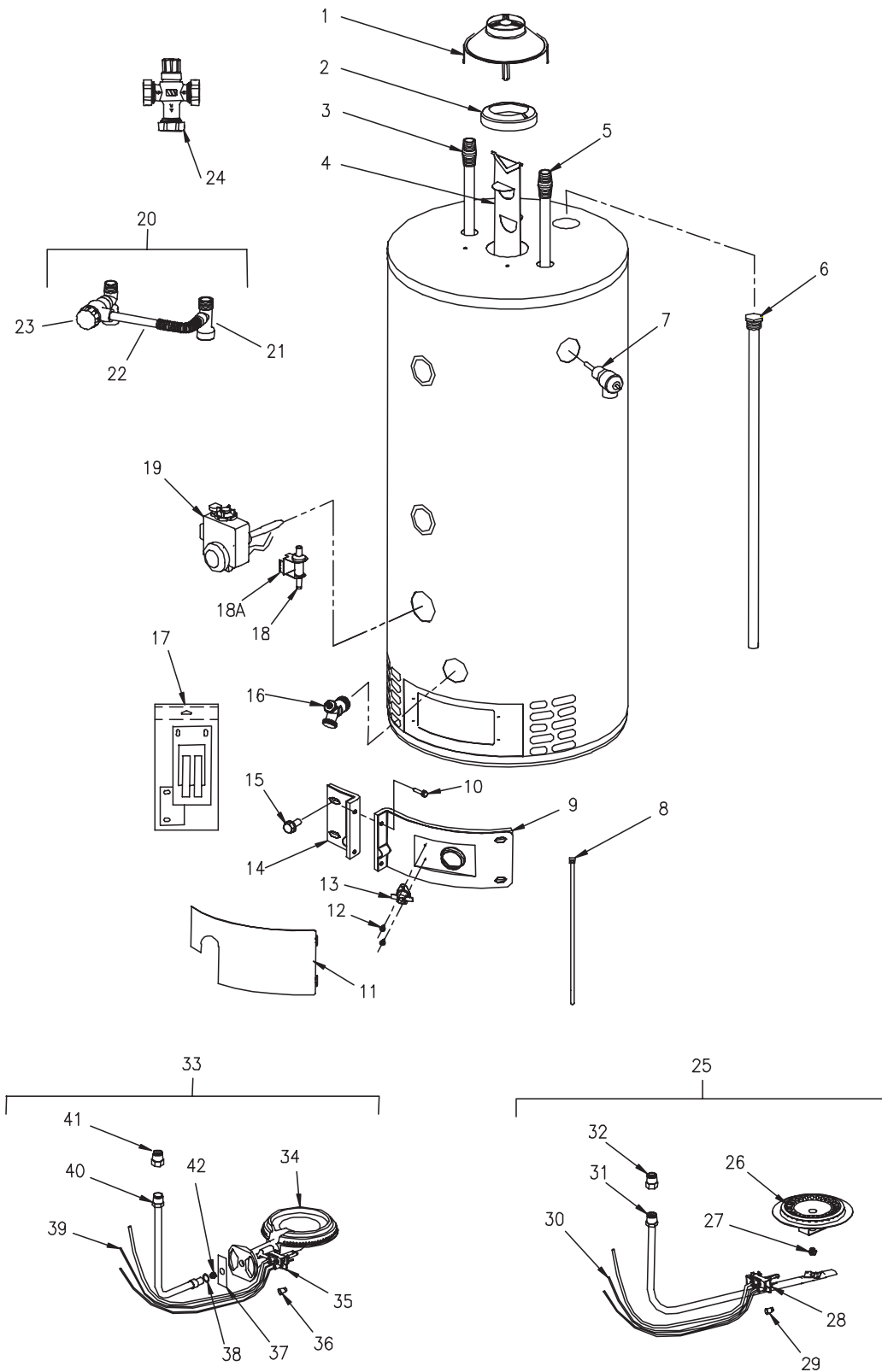
Laars[®] Combi Heat[™] Gas Water Heater



*Effective: September 2006
ECO 6885*

**NOTE: BOTH MODEL AND
SERIAL NUMBERS ARE
REQUIRED FOR ORDERING
REPLACEMENTS PARTS.**

Specification subject to
change without notice.

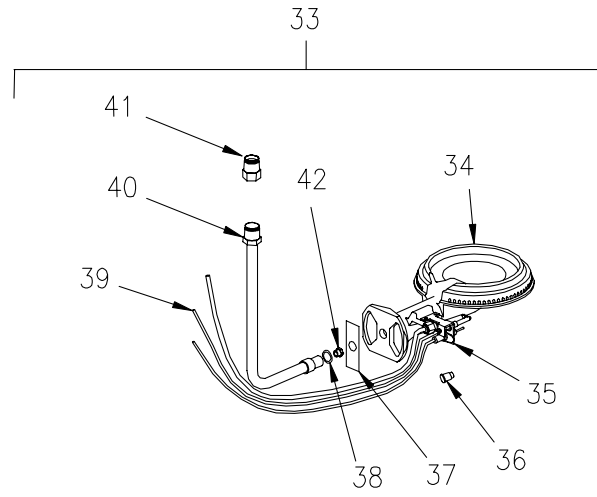
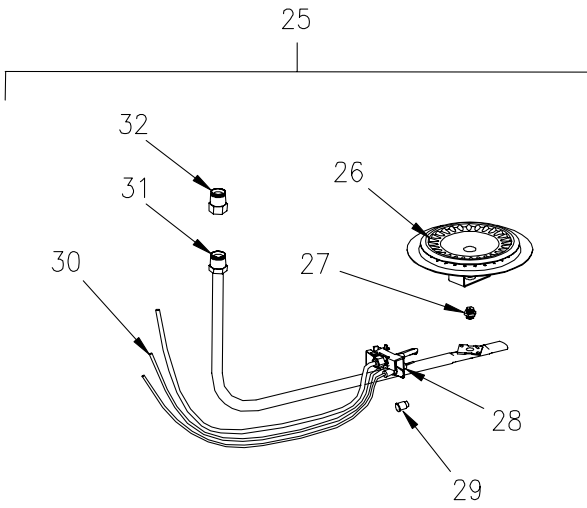


CDW2504T Series

| Item | Description | Model CDW2504T10F(BN,CX) |
|------|---------------------------------------|-----------------------------|
| 1 | Draft Hood | 243-33081-02-20 |
| 2 | Flue Reducer | 243-36920-00 |
| 3 | Hot Water Outlet Anode Aluminum | 224-32999-30 |
| 4 | Flue Baffle | 243-41037-00 |
| 5 | Cold Water Inlet Dip Tube Polysulfone | 229-39628-19 |
| 6 | Plug Type Anode Aluminum | 224-38508-03 |
| 7 | T&P Relief Valve | 230-40594-02 |
| 8 | Wire Tie | 239-44328-00 |
| 9 | Right Side Inner Door Complete | 243-43963-07 |
| 10 | Screw-#8-18 x 3/4 HWH | 239-44195-00 |
| 11 | Outer Door | 243-43962-00 |
| 12 | Screw-#6-20 x 3/8 PHCR | 239-43967-00 |
| 13 | Resettable Thermal Switch | 239-43676-02 |
| 14 | Left Side Inner Door Complete | 239-43968-18 |
| 15 | Screw-#10-12 x 3/4 HWH | 239-44113-00 |
| 16 | Brass Drain Valve | 265-42351-02 |
| 17 | Inner Door Gasket Kit | 239-44078-00 |
| 18 | Piezo Igniter | 239-43448-00 |
| 18A | Piezo Bracket White Rodgers | 239-46157-02 |
| | Piezo Bracket Robertshaw | 239-46157-01 |
| 19 | Nat. Gas Thermostat | 265-46367-02 |
| | LP Gas Thermostat | 265-46368-03 |
| 20 | Kit integrated Mixing Device | 239-46225-01 |
| 21 | Inlet Tee | 239-45632-00 |
| 22 | Flexible Connector | 239-46347-02 |
| 23 | Outlet Mixing Device | 239-45631-00 |
| 24 | ASSE Approved Mixing Valve (Optional) | 239-43740-01 |

*Inner door gasket kit recommended

**Ordering a complete burner assembly may increase delivery time. Please order the specific component required for the quickest delivery.

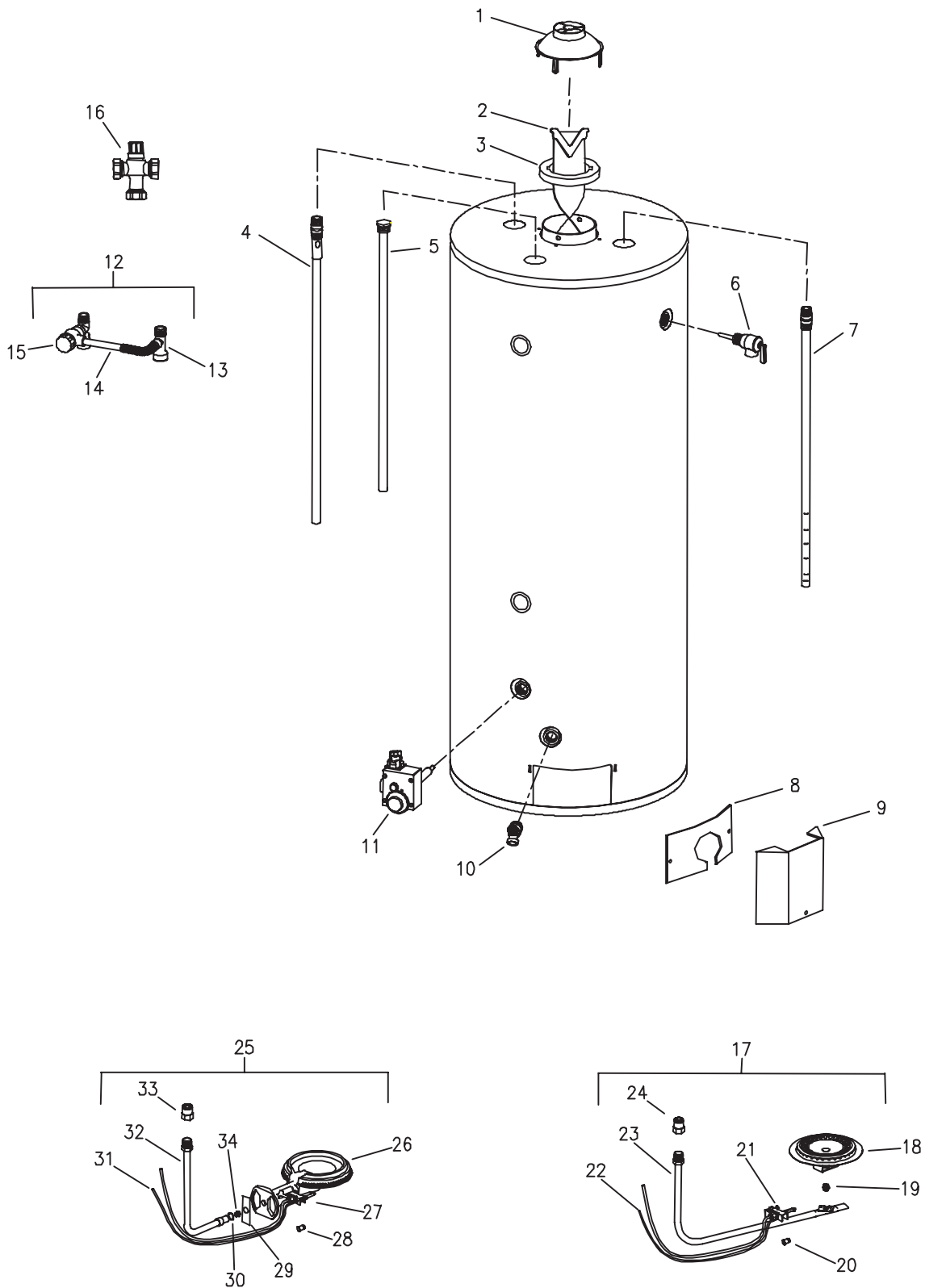


CDW2504T Series

| Item | Description | Model CDW2504T10F(BN,CX) |
|------|--|-----------------------------|
| 25 | Nat Gas Burner Assembly Complete** | 265-43971-04-27 |
| 26 | Nat. Gas BN Burner** | 228-42506-00 |
| 27 | Nat. Gas Main Burner Orifice* | 234-41034-27 |
| | Nat. Gas High Altitude 2000 Ft. to 5000 Ft.* | 234-41034-29 |
| | Nat. Gas High Altitude 5000 Ft. to 8000 Ft.* | 234-41034-30 |
| | Nat. Gas High Altitude Over 8000 Ft.* | 234-41034-31 |
| 28 | Nat. Gas Pilot Assembly* | 233-46277-03 |
| 29 | Nat. Gas Pilot Orifice* | 234-46502-05 |
| 30 | Thermocouple* | 233-46501-14 |
| 31 | Nat. Gas FeedLine* | 265-43960-04 |
| 32 | Nat. Gas FeedLine Adaptor | 239-60100-00 |
| 33 | LP Gas Burner Assembly Complete** | 265-43972-04-43 |
| 34 | LP Gas Cast Iron Burner* | 228-37743-00 |
| 35 | LP Gas Pilot Assembly* | 233-46278-03 |
| 36 | LP Gas Pilot Orifice* | 234-46502-02 |
| 37 | Air Shutter* | 239-35466-00 |
| 38 | Air Shutter Nut* | 239-18197-00 |
| 39 | Thermocouple* | 233-46501-17 |
| 40 | LP Gas Feed Line* | 265-43961-03 |
| 41 | LP Gas Feed Line Adaptor | 239-60099-00 |
| 42 | LP Gas Main Burner Orifice* | 234-35928-43 |
| | LP Gas High Altitude 2000 Ft. to 5000 Ft.* | 234-35928-46 |
| | LP Gas High Altitude 5000 Ft. to 8000 Ft.* | 234-35928-47 |
| | LP Gas High Altitude Over 8000 Ft.* | 234-35928-47 |
| - | LP to Natural Gas Conversion Kit (Norm Alt.) | 265-45712-25 |
| - | LP to Natural Gas Conversion Kit (High Alt.) | 265-45712-26 |

*Inner door gasket kit recommended

**Ordering a complete burner assembly may increase delivery time. Please order the specific component required for the quickest delivery.

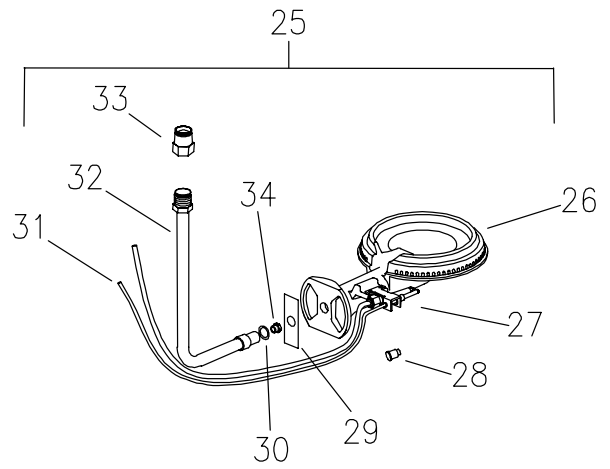
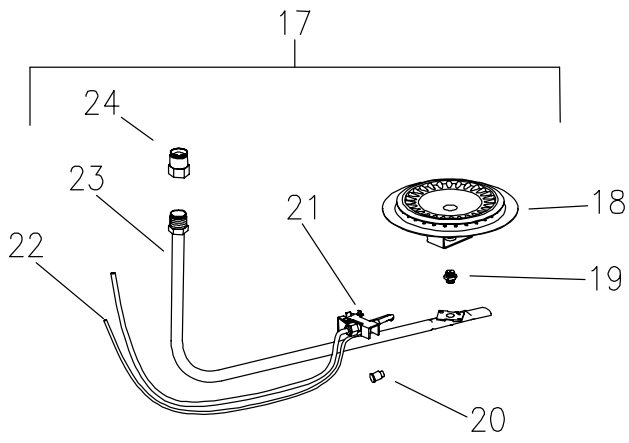


CDW275T Series

| Item | Description | Model CDW275T10(BN,CX) |
|------|---------------------------------------|---------------------------|
| 1 | Draft Hood | 239-12950-00 |
| 2 | Flue Baffle | 243-39975-00 |
| 3 | Flue Reducer | 243-36920-00 |
| 4 | Hot Water Outlet Anode Aluminum | 224-32999-21 |
| 5 | Plug Type Anode Aluminum | 224-38508-03 |
| 6 | T&P Valve | 230-40594-02 |
| 7 | Cold Water Inlet Dip Tube | 229-39628-15 |
| 8 | Inner Door | 243-39207-00 |
| 9 | Outer Door | 243-37177-00 |
| 10 | Brass Drain Valve | 227-42351-02 |
| 11 | Nat Gas Thermostat | 265-46365-02 |
| | LP Gas Thermostat | 265-46366-02 |
| 12 | Kit integrated Mixing Device | 239-46225-01 |
| 13 | Inlet Tee | 239-45632-00 |
| 14 | Flexible Connector | 239-46347-02 |
| 15 | Outlet Mixing Device | 239-45631-00 |
| 16 | ASSE Approved Mixing Valve (Optional) | 239-43740-01 |

*Inner door gasket kit recommended

**Ordering a complete burner assembly may increase delivery time. Please order the specific component required for the quickest delivery.



CDW275T Series

| Item | Description | Model |
|------|--|------------------|
| | | CDW275T10(BN,CX) |
| 17 | Nat Gas Burner Assembly Complete** | 265-43979-03-21 |
| 18 | Nat. Gas BN Burner** | 228-42506-00 |
| 19 | Nat. Gas Main Burner Orifice | 234-41034-21 |
| | Nat. Gas High Altitude 2000 Ft. to 5000 Ft. | 234-41034-24 |
| | Nat. Gas High Altitude 5000 Ft. to 8000 Ft. | 234-41034-29 |
| | Nat. Gas High Altitude Over 8000 Ft. | 234-41034-31 |
| 20 | Nat. Gas Pilot Orifice | 234-46502-05 |
| 21 | Nat. Gas Pilot Assembly | 233-40248-05 |
| 22 | Thermocouple | 233-46501-24 |
| 23 | Nat. Gas FeedLine | 233-42567-03 |
| 24 | Nat. Gas FeedLine Adaptor | 239-60100-00 |
| 25 | LP Gas Burner Assembly Complete** | 265-41876-24-38 |
| 26 | LP Gas Cast Iron Burner | 228-14173-00 |
| 27 | LP Gas Pilot Assembly | 233-40261-03 |
| 28 | LP Gas Pilot Orifice | 234-46502-02 |
| 29 | Air Shutter | 239-35466-00 |
| 30 | Air Shutter Nut | 239-18197-00 |
| 31 | Thermocouple | 233-46501-24 |
| 32 | LP Gas Feed Line | 233-41818-07 |
| 33 | LP Gas Feed Line Adaptor | 239-60099-00 |
| 34 | LP Gas Main Burner Orifice | 234-35928-38 |
| | LP Gas High Altitude 2000 Ft. to 5000 Ft. | 234-35928-42 |
| | LP Gas High Altitude 5000 Ft. to 8000 Ft. | 234-35928-43 |
| | LP Gas High Altitude Over 8000 Ft. | 234-35928-43 |
| - | LP to Natural Gas Conversion Kit (Norm Alt.) | 265-45754-07 |
| - | LP to Natural Gas Conversion Kit (High Alt.) | 265-45754-08 |

*Inner door gasket kit recommended

**Ordering a complete burner assembly may increase delivery time. Please order the specific component required for the quickest delivery.

NOTES

Blank lined area for notes, consisting of approximately 21 horizontal lines.



800.900.9276 • Fax 800.559.1583 (*Customer Service, Service Advisors*)

20 Industrial Way, Rochester, NH 03867 • 603.335.6300 • Fax 603.335.3355

1869 Sismet Road, Mississauga, Ontario, Canada L4W 1W8 • 905.238.0100 • Fax 905.366.0130

www.Laars.com

Litho in U.S.A. © Laars Heating Systems 0806 Document 11039