



Using "Genuine Laars" parts will ensure accurate replacement and warranty coverage. Installation and Operation Manuals for current products are available on-line at [www.Laars.com](http://www.Laars.com)

### **Our Commitment**

We believe the availability of factory authorized replacement parts is an essential component of customer service. We strive to provide every opportunity for our customers to order and stock factory authorized replacement parts, including special incentive, pricing and freight programs. Contact your Laars representative or sales manager for more details.

### **Ordering**

Laars sells parts only through its normal distribution channels. The most commonly used parts are listed in this parts guide, and can be ordered through Laars stocking representatives or wholesalers. Call the Service Department for assistance in identifying parts not listed. Have the model and serial number of the unit before calling to assure accurate parts identification. Rush Orders: We make every effort to ship rush orders the same day at our regular prices, but cannot guarantee same day shipment. Express freight charged by carriers is not refundable regardless of ship date; please indicate alternate shipping choice if order cannot ship the same day. Some parts are subject to price changes and limited availability. Laars representatives or wholesalers should call the factory for price and lead time for non-current sheet metal parts, parts listed as "limited to stock on hand" and parts not listed in this document.

### **Terms and Conditions**

1. Standard terms will apply to all parts orders.
2. Special pricing is available for bulk quantity orders. Contact the Customer Service Department for pricing and specifics.
3. Expedite fee for non-stocked heat exchangers, 24 hour turnaround \$250.00 net.
4. Expedite fee for non-stocked sheet metal parts (7 working days) is \$250.00 per part.
5. Cancellation fee for custom product already in production: \$250
6. All parts are shipped FOB warehouse.
7. Any excise or sales tax will be charged to and paid by the buyer. Buyer is solely responsible for providing valid resale certificates.

### **Salable Returns / Unused Parts**

Parts in new condition with all original packaging will be considered for return within one year of date of purchase from Laars, subject to a 25% restocking charge *and* recovery of other discounts or incentives earned at time of purchase. Invoice number and date of purchase must be furnished. Refunds will be made to the original purchaser only, and will be made at the sole discretion of Laars. Return of parts may affect eligibility for other programs. Contact your Laars representative for more information.

### **Parts Limited Warranty**

Laars warrants all parts to be free from defects in materials and workmanship to the original retail purchaser for one year from date of retail purchase. Proof of purchase is required. This limited warranty applies only to parts purchased for use as an original equipment replacement part in Laars Heating Systems boilers and water heaters. At its option, Laars will repair or replace any part that fails under this limited warranty. Repair or replacement shall be the sole remedy, and Laars shall not be liable for any field labor, removal, transportation to/from the factory, reinstallation or any other such costs.

### **Return Under Warranty**

Parts should be returned to the place of purchase for warranty evaluation. If the original place of purchase is not known, contact your Laars wholesaler, factory representative or Contract Service Center. Wholesalers, factory representatives and Contract Service Centers returning parts for warranty consideration must obtain a RMA (Return Merchandise Authorization) number from the Customer Service Department. Each part must be tagged with the original purchase date, model and serial number of the boiler it was installed on, and a description of the failure. Parts must be returned freight prepaid and clearly marked with the RMA number. The RMA expires if not returned within 60 days of issuance. Contact your Laars representative or the Customer Service Department for more information on obtaining warranty coverage on large, heavy or bulky items.

Laars Heating Systems maintains a policy of continuous quality improvement.

*Laars Heating Systems Company reserves the right to change specifications, components, features, or to discontinue products without notice. While Laars will make every reasonable effort to provide advance notice of changes, supplier actions, changes in code requirements, and Laars' efforts to continuously upgrade products will sometimes require that changes be introduced with minimal or no advance notice.*

## SECTION 5.

### Parts List for HH and PH Boilers

#### 5A. General Information

To order or purchase parts for the Laars HH-PH boilers, contact your nearest Laars dealer or distributor. If they cannot supply you with what you need, contact:

Laars Customer Service, 6000 Condor Drive,  
Moorpark, California, 93021, Telephone (800) 900-9276, or  
20 Industrial Way, Rochester, New Hampshire 03867,  
Telephone (603) 335-6300.

In Canada, contact 480S. Service Road,  
Oakville, Ontario, Canada L6K 2H4, Telephone (905) 844-8233.

#### 5B. Parts List

Item	Description	Part Number
<b>PILOT GAS SYSTEM</b>		
1.	Burner, Pilot Only, Standing Pilot, Nat. ....	W0036300
	Standing Pilot, Propane .....	W0036400
2.	Pilot Thermocouple Only .....	W0036500
3.	Pilot Burner Electrode Assy., Nat. ....	W0030600
	Electrode Assy., Propane .....	W0039600
4.	Pilot Bracket Shield .....	10461100
5.	Ceramic Insulator Assy. ....	10418805
<b>MAIN GAS SYSTEM</b>		
6.	Burner Tray Assembly Nat. IID, On/Off .....	10571802-05
	Nat. IID, Mech. Mod. ....	10572102-05
	Nat. IID, 2-Stage .....	10581802-05
	Nat. Standing Pilot, On/Off .....	10571602-05
	Nat. Standing Pilot, Mech. Mod. ....	10571902-05
	Propane IID, On/Off .....	10737502-05
	Propane IID, Mech. Mod. ....	10737402-05
	Propane IID, 2-Stage .....	10737302-05
	Propane Standing Pilot, On/Off .....	10571702-05
	Propane Standing Pilot, Mech. Mod. ....	10572002-05
7.	Gas Valve Nat. IID .....	R0099400
	Nat. Stdg Pilot, (Model 175) .....	V0058900
	Nat. Stdg Pilot, (Model 250) .....	V0073300
	Nat. Stdg Pilot, (Model 325-400) .....	V0049900
	Propane IID, O/O, MM (Models 175 thru 400) .....	V0073600
	Propane IID, 2-Stage (Models 175 thru 250) .....	V0073100
	Propane IID, 2-Stage (Models 325 and 400) .....	V0073200
	Propane. Standing Pilot .....	RV0073700
8.	Burner, Main .....	RL0052300
9.	Burner, Main w/Pilot Bracket .....	10457500
10.	Orifice, Main Burner, Nat. ....	L0032200
	Orifice, Main Burner, Propane .....	L0032900
11.	Burner Tray Weldment .....	R0099502-05

Item	Description	Part Number
<b>ELECTRICAL SYSTEM</b>		
12.	High Tension Lead .....	10449513
13.	Ignition Control (nat. Gas) .....	E0094001
13.	Ignition Control (LP Gas) .....	E0111500
14.	Transformer, 115V/24V, 40VA .....	RE0086100
15.	Fuse Holder w/2 Amp Fuse .....	10690300
16.	Fuse, 2 Amp .....	E0084400
17.	Flow Switch .....	RE0013000
18.	Fusible Link (175 thru 250) .....	R0012200
19.	Toggle Switch .....	E0077000
20.	Hi-Limit, Manual Reset .....	RE0015900
21.	Temp Controller, On/Off .....	RE0014400
21.	Temp Controller, Two-Stage .....	E0093200
24.	Switch, Draffhood .....	E0121000
25.	Automatic Vent Damper w/wires (175 and 250) .....	E0141102-03

**VENT SYSTEM**

26.	Vent Cap .....	R0318602-05
27.	Draffhood .....	R0318702-05
28.	Draffhood/Vent Cap Adapter Plate .....	10535302-05
29.	Flue Transition Ring .....	10515502-05
30.	Top Assembly .....	10568007-10
31.	Flue Collector Assembly .....	10564802-05
32.	Top Filler Plate .....	10535202-05
33.	Clip, Baffle Retainer .....	S0083900
34.	Baffle, Heat Exchanger (8) .....	10697402-05

**FIREBOX COMPONENTS**

35, 36, 37.	Tile Replacement Kit, 125 .....	R0325301
	Tile Replacement Kit, 175 .....	R0325302
	Tile Replacement Kit, 250 .....	R0325303
	Tile Replacement Kit, 325 .....	R0325304
	Tile Replacement Kit, 400 .....	R0325305
38.	Tile Cover, Side .....	10167300
39.	Tile Cover, Front and Rear .....	10314902-05
40.	Insulation, Jacket .....	10458902-05

**WATER SYSTEM**

41.	Bracket, Heat Exchanger .....	10457000
42.	Heat Exchanger, Tube Assy. Copper .....	R0095502-05
	Cupronickel .....	R0095602-05
43.	Plug, 1/4 Inch NPT .....	P0026800

Item	Description	Part Number
44.	In/Out Header Cast Iron (S0079100), 2-Pass .....	10593700
	Bronze (S0081700), 4-Pass .....	10546900
45.	Return Header Cast Iron (S0079200), 2-Pass .....	10593800
	Bronze (S0075900), 4-Pass .....	10546800
46.	Header Gasket (18) .....	R0050800
47.	Bolt, Dome Head (8) .....	F0046100
48.	Bolt, Flat Head, Square Neck, 3/8 Inch, 16 x 2-3/4 Inch .....	F0041000
49.	Screw, Hex Cap .....	F0031700
50.	Gasket Cast Iron Flange .....	S0076500
	Bronze Flange .....	S0028000
	Bronze Flange .....	S0053100
51.	Nut .....	F0040800
52.	Washer .....	F0011100
53.	Flange, 1-1/2 in. Cast Iron (S0076400) .....	10573600
	Bronze (S0071800) .....	10489400
54.	Pressure Relief Valve (75 psi) .....	RA0001200
55.	Pump and Rainshield Assembly 175 .....	10565604-07
	175 thru 400 .....	10565603
	250 .....	10565605
	325 and 400 .....	10565606
56.	Valve, Drain .....	P0058700
57.	Well, Temp Control, 1/2 Inch NPT .....	E0025900
58.	Nipple, Brass, 3/4 Inch .....	P0025300
59.	Nipple Bronze .....	P0075700
	Cast Iron .....	P0024400
60.	Tee Bronze .....	P0075600
	Cast Iron .....	P0071700
61.	Bushing, Brass .....	P0018500
62.	Bracket, Hold Down .....	10726300
63.	Clamp, Hold Down .....	10726200

**JACKET COMPONENTS**

64.	Jacket Assembly .....	10568302-05
65.	Door .....	10448902-05
66.	Deflector, Rear .....	10563707-10
67.	Deflector, Lower .....	10563607-10
68.	Gap Closure, In/Out .....	10448202
69.	Gap Closure, Return .....	10448302

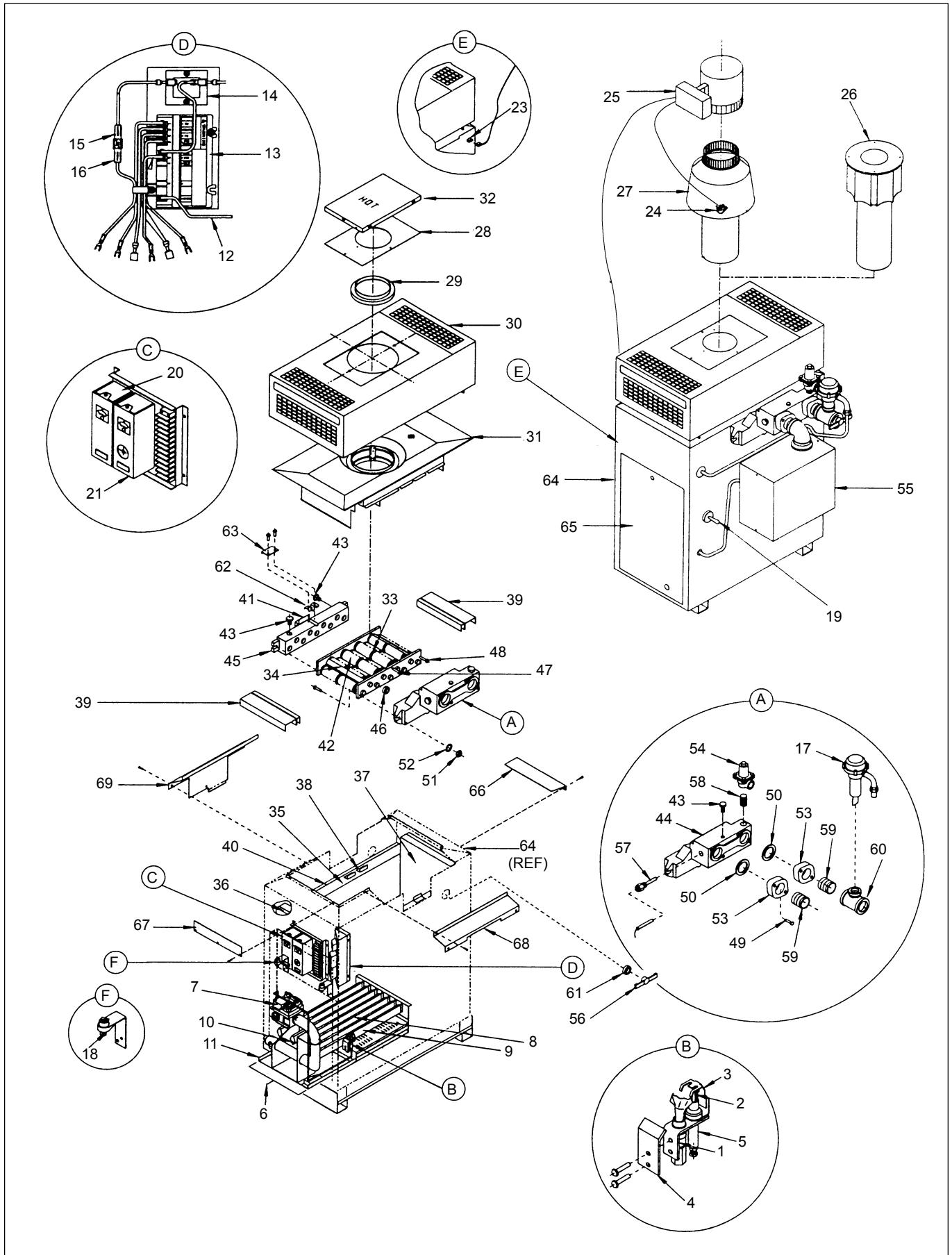


Figure 33. Parts Diagram.



A subsidiary of **BRADFORD WHITE** Corporation

800.900.9276 • Fax 800.559.1583 (*Customer Service, Service Advisors*)

20 Industrial Way, Rochester, NH 03867 • 603.335.6300 • Fax 603.335.3355

1869 Sismet Road, Mississauga, Ontario, Canada L4W 1W8 • 905.238.0100 • Fax 905.366.0130

**[www.Laars.com](http://www.Laars.com)**

Litho in U.S.A. © Laars Heating Systems 0805 Document 1064E